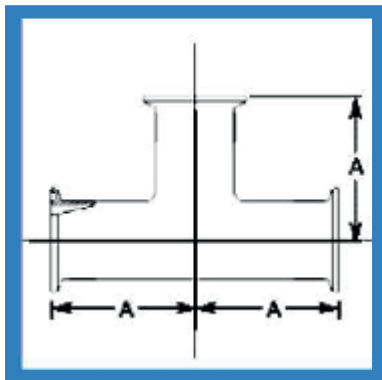


## BIOBORE TEES

### DT9 - Equal Tee W/W/W (DT-4.1.2-1) ASME BPE

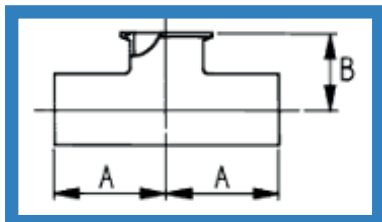
Size (ins)	Part Code	A (mm)
0.25	ET02WWWSTDT9	44.5
0.375	ET04WWWSTDT9	44.5
0.5	ET05WWWSTDT9	47.6
0.75	ET07WWWSTDT9	50.8
1.0	ET10WWWSTDT9	54.0
1.5	ET15WWWSTDT9	60.3
2.0	ET20WWWSTDT9	73.0
2.5	ET25WWWSTDT9	79.4
3.0	ET30WWWSTDT9	85.7
4.0	ET40WWWSTDT9	104.8
6.0	ET60WWWSTDT9	142.9



## BIOBORE TEES

### DT18 - Equal Tee C/C/C (DT-4.1.2-4) ASME BPE

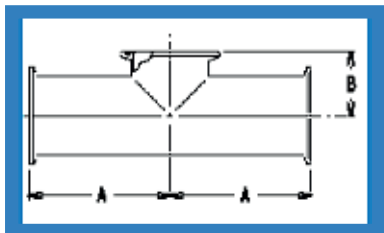
Size (ins)	Part Code	A (mm)
0.25	ET02CCCSTDT18	57.2
0.375	ET04CCCSTDT18	57.2
0.5	ET05CCCSTDT18	60.3
0.75	ET07CCCSTDT18	63.5
1.0	ET10CCCSTDT18	66.7
1.5	ET15CCCSTDT18	73.0
2.0	ET20CCCSTDT18	85.7
2.5	ET25CCCSTDT18	92.1
3.0	ET30CCCSTDT18	98.4
4.0	ET40CCCSTDT18	120.7
6.0	ET60CCCSTDT18	181.0



# BIOBORE TEES

## DT15 - Eq Short Outlet Tee W/W/C (DT-4.1.2-2) ASME BPE

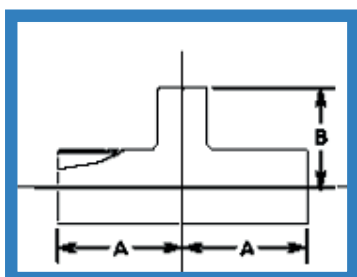
Size (ins)	Part Code	A (mm)	B (mm)
0.25	ES0T02WWCSTDT15	44.5	25.4
0.375	ES0T04WWCSTDT15	44.5	25.4
0.5	ES0T05WWCSTDT15	47.6	25.4
0.75	ES0T07WWCSTDT15	50.8	28.6
1.0	ES0T10WWCSTDT15	54.0	28.6
1.5	ES0T15WWCSTDT15	60.3	34.9
2.0	ES0T20WWCSTDT15	73.0	41.3
2.5	ES0T25WWCSTDT15	79.4	47.6
3.0	ES0T30WWCSTDT15	85.7	54.0
4.0	ES0T40WWCSTDT15	104.8	69.9
6.0	ES0T60WWCSTDT15	142.9	117.5



## BIOBORE TEES

### DT27 - Eq Short Outlet Tee C/C/C (DT-4.1.2-5) ASME BPE

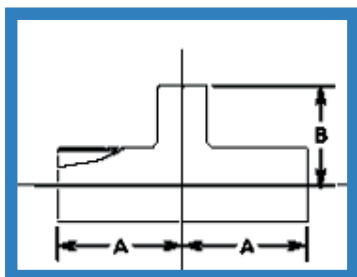
Size (ins)	Part Code	A (mm)	B (mm)
0.5	ES0T05CCCSTDT27	57.2	25.4
0.75	ES0T07CCCSTDT27	60.3	28.6
1.0	ES0T10CCCSTDT27	66.7	28.6
1.5	ES0T15CCCSTDT27	73.0	34.9
2.0	ES0T20CCCSTDT27	85.7	41.3
2.5	ES0T25CCCSTDT27	92.1	47.6
3.0	ES0T30CCCSTDT27	98.4	54.0
4.0	ES0T40CCCSTDT27	120.7	69.9
6.0	ES0T60CCCSTDT27	181.0	117.5



# BIOBORE TEES

## DT10 - Reducing Tee W/W/W (DT-4.1.2-6) ASME BPE

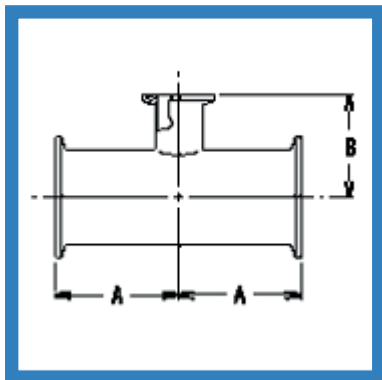
Size (ins)	Part Code	A (mm)	B (mm)
0.375 x 0.25	RT0402WWWSTDT10	44.5	44.5
0.50 x 0.25	RT0502WWWTD10	47.6	47.6
0.50 x 0.375	RT0504WWWTD10	47.6	47.6
0.75 x 0.25	RT0702WWWTD10	50.8	50.8
0.75 x 0.375	RT0704WWWTD10	50.8	50.8
0.75 x 0.50	RT0705WWWTD10	50.8	50.8
1.0 x 0.25	RT1002WWWTD10	54.0	54.0
1.0 x 0.375	RT1004WWWTD10	54.0	54.0
1.0 x 0.5	RT1005WWWTD10	54.0	54.0
1.0 x 0.75	RT1007WWWTD10	54.0	54.0
1.5 x 0.5	RT1505WWWTD10	60.3	60.3
1.5 x 0.75	RT1507WWWTD10	60.3	60.3
1.5 x 1.0	RT1510WWWTD10	60.3	60.3
2.0 x 0.5	RT2005WWWTD10	73.0	66.7
2.0 x 0.75	RT2007WWWTD10	73.0	66.7
2.0 x 1.0	RT2010WWWTD10	73.0	66.7
2.0 x 1.5	RT2015WWWTD10	73.0	66.7
2.5 x 0.5	RT2505WWWTD10	79.4	73.0
2.5 x 0.75	RT2507WWWTD10	79.4	73.0
2.5 x 1.0	RT2510WWWTD10	79.4	73.0
2.5 x 1.5	RT2515WWWTD10	79.4	73.0
2.5 x 2.0	RT2520WWWTD10	79.4	73.0
3.0 x 0.5	RT3005WWWTD10	85.7	79.4
3.0 x 0.75	RT3007WWWTD10	85.7	79.4
3.0 x 1.0	RT3010WWWTD10	85.7	79.4
3.0 x 1.5	RT3015WWWTD10	85.7	79.4
3.0 x 2.0	RT3020WWWTD10	85.7	79.4



# BIOBORE TEES

## DT10 - Reducing Tee W/W/W (DT-4.1.2-6) ASME BPE

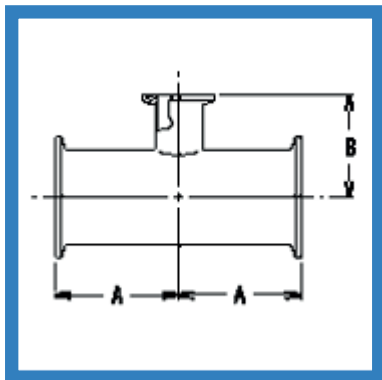
Size (ins)	Part Code	A (mm)	B (mm)
3.0 x 2.5	RT3025WWWTD10	85.7	79.4
4.0 x 0.5	RT4005WWWTD10	104.8	92.1
4.0 x 0.75	RT4007WWWTD10	104.8	92.1
4.0 x 1.0	RT4010WWWTD10	104.8	92.1
4.0 x 1.5	RT4015WWWTD10	104.8	92.1
4.0 x 2.0	RT4020WWWTD10	104.8	98.4
4.0 x 2.5	RT4025WWWTD10	104.8	98.4
4.0 x 3.0	RT4030WWWTD10	104.8	98.4
6.0 x 3.0	RT6030WWWTD10	142.9	123.8
6.0 x 4.0	RT6040WWWTD10	142.9	130.2



## BIOBORE TEES

### DT19 - Reducing Tee C/C/C (DT-4.1.2-8) ASME BPE

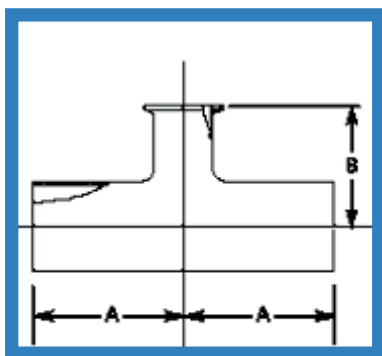
Size (ins)	Part Code	A (mm)	B (mm)
0.375 x 0.25	RT0402CCCSTDT19	57.2	57.2
0.50 x 0.25	RT0502CCCSTDT19	60.3	60.3
0.50 x 0.375	RT0504CCCSTDT19	60.3	60.3
0.75 x 0.25	RT0702CCCSTDT19	63.5	63.5
0.75 x 0.375	RT0704CCCSTDT19	63.5	63.5
0.75 x 0.50	RT0705CCCSTDT19	63.5	63.5
1.0 x 0.25	RT1002CCCSTDT19	66.7	66.7
1.0 x 0.375	RT1004CCCSTDT19	66.7	66.7
1.0 x 0.5	RT1005CCCSTDT19	66.7	66.7
1.0 x 0.75	RT1007CCCSTDT19	66.7	66.7
1.5 x 0.5	RT1505CCCSTDT19	73.0	73.0
1.5 x 0.75	RT1507CCCSTDT19	73.0	73.0
1.5 x 1.0	RT1510CCCSTDT19	73.0	73.0
2.0 x 0.5	RT2005CCCSTDT19	85.7	79.4
2.0 x 0.75	RT2007CCCSTDT19	85.7	79.4
2.0 x 1.0	RT2010CCCSTDT19	85.7	79.4
2.0 x 1.5	RT2015CCCSTDT19	85.7	79.4
2.5 x 0.5	RT2505CCCSTDT19	92.1	85.7
2.5 x 0.75	RT2507CCCSTDT19	92.1	85.7
2.5 x 1.0	RT2510CCCSTDT19	92.1	85.7
2.5 x 1.5	RT2515CCCSTDT19	92.1	85.7
2.5 x 2.0	RT2520CCCSTDT19	92.1	85.7
3.0 x 0.5	RT3005CCCSTDT19	98.4	92.1



## BIOBORE TEES

### DT19 - Reducing Tee C/C/C (DT-4.1.2-8) ASME BPE

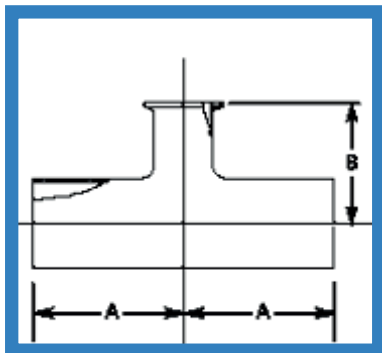
Size (ins)	Part Code	A (mm)	B (mm)
3.0 x 0.75	RT3007CCCSTDT19	98.4	92.1
3.0 x 1.0	RT3010CCCSTDT19	98.4	92.1
3.0 x 1.5	RT3015CCCSTDT19	98.4	92.1
3.0 x 2.0	RT3020CCCSTDT19	98.4	92.1
3.0 x 2.5	RT3025CCCSTDT19	98.4	92.1
4.0 x 0.5	RT4005CCCSTDT19	120.7	104.8
4.0 x 0.75	RT4007CCCSTDT19	120.7	104.8
4.0 x 1.0	RT4010CCCSTDT19	120.7	104.8
4.0 x 1.5	RT4015CCCSTDT19	120.7	104.8
4.0 x 2.0	RT4020CCCSTDT19	120.7	111.1
4.0 x 2.5	RT4025CCCSTDT19	120.7	111.1
4.0 x 3.0	RT4030CCCSTDT19	120.7	111.1
6.0 x 3.0	RT6030CCCSTDT19	181.0	136.5
6.0 x 4.0	RT6040CCCSTDT19	181.0	146.1



## BIOBORE TEES

### DT14 - Red Short Outlet Tee W/W/C (DT-4.1.2-7) ASME BPE

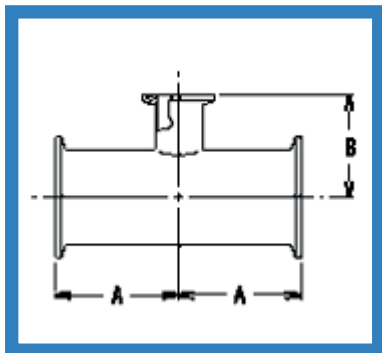
Size (ins)	Part Code	A (mm)	B (mm)
0.375 x 0.25	RSOT0402WWCSTDT14	44.5	25.4
0.50 x 0.25	RSOT0502WWCSTDT14	47.6	25.4
0.50 x 0.375	RSOT0504WWCSTDT14	47.6	25.4
0.75 x 0.25	RSOT0702WWCSTDT14	50.8	25.4
0.75 x 0.375	RSOT0704WWCSTDT14	50.8	25.4
0.75 x 0.50	RSOT0705WWCSTDT14	50.8	25.4
1.0 x 0.25	RSOT1002WWCSTDT14	54.0	28.6
1.0 x 0.375	RSOT1004WWCSTDT14	54.0	28.6
1.0 x 0.5	RSOT1005WWCSTDT14	54.0	28.6
1.0 x 0.75	RSOT1007WWCSTDT14	54.0	28.6
1.5 x 0.5	RSOT1505WWCSTDT14	60.3	34.9
1.5 x 0.75	RSOT1507WWCSTDT14	60.3	34.9
1.5 x 1.0	RSOT1510WWCSTDT14	60.3	34.9
2.0 x 0.5	RSOT2005WWCSTDT14	73.0	41.3
2.0 x 0.75	RSOT2007WWCSTDT14	73.0	41.3
2.0 x 1.0	RSOT2010WWCSTDT14	73.0	41.3
2.0 x 1.5	RSOT2015WWCSTDT14	73.0	41.3
2.5 x 0.5	RSOT2505WWCSTDT14	79.4	47.6
2.5 x 0.75	RSOT2507WWCSTDT14	79.4	47.6
2.5 x 1.0	RSOT2510WWCSTDT14	79.4	47.6
2.5 x 1.5	RSOT2515WWCSTDT14	79.4	47.6
2.5 x 2.0	RSOT2520WWCSTDT14	79.4	47.6
3.0 x 0.5	RSOT3005WWCSTDT14	85.7	54.0



## BIOBORE TEES

### DT14 - Red Short Outlet Tee W/W/C (DT-4.1.2-7) ASME BPE

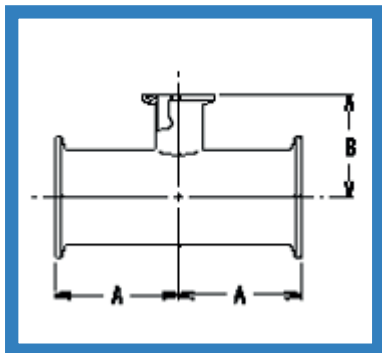
Size (ins)	Part Code	A (mm)	B (mm)
3.0 x 0.75	RSOT3007WWCSTDT14	85.7	54.0
3.0 x 1.0	RSOT3010WWCSTDT14	85.7	54.0
3.0 x 1.5	RSOT3015WWCSTDT14	85.7	54.0
3.0 x 2.0	RSOT3020WWCSTDT14	85.7	54.0
3.0 x 2.5	RSOT3025WWCSTDT14	85.7	54.0
4.0 x 0.5	RSOT4005WWCSTDT14	104.8	66.7
4.0 x 0.75	RSOT4007WWCSTDT14	104.8	66.7
4.0 x 1.0	RSOT4010WWCSTDT14	104.8	66.7
4.0 x 1.5	RSOT4015WWCSTDT14	104.8	66.7
4.0 x 2.0	RSOT4020WWCSTDT14	104.8	66.7
4.0 x 2.5	RSOT4025WWCSTDT14	104.8	66.7
4.0 x 3.0	RSOT4030WWCSTDT14	104.8	66.7
6.0 x 0.5	RSOT6005WWCSTDT14	142.9	92.1
6.0 x 0.75	RSOT6007WWCSTDT14	142.9	92.1
6.0 x 1.0	RSOT6010WWCSTDT14	142.9	92.1
6.0 x 1.5	RSOT6015WWCSTDT14	142.9	92.1
6.0 x 2.0	RSOT6020WWCSTDT14	142.9	92.1
6.0 x 2.5	RSOT6025WWCSTDT14	142.9	92.1
6.0 x 3.0	RSOT6030WWCSTDT14	142.9	92.1
6.0 x 4.0	RSOT6040WWCSTDT14	142.9	95.3



## BIOBORE TEES

### DT20 - Red Short Outlet Tee C/C/C (DT-4.1.2-9) ASME BPE

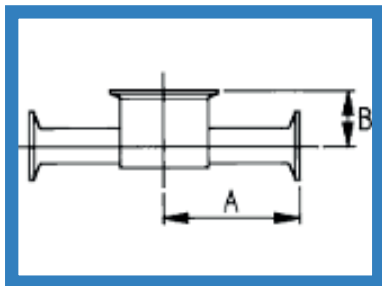
Size (ins)	Part Code	A (mm)	B (mm)
0.375 x 0.25	RSOT0402CCCSTDT20	57.2	25.4
0.50 x 0.25	RSOT0502CCCSTDT20	60.3	25.4
0.50 x 0.375	RSOT0504CCCSTDT20	60.3	25.4
0.75 x 0.25	RSOT0702CCCSTDT20	63.5	25.4
0.75 x 0.375	RSOT0704CCCSTDT20	63.5	25.4
0.75 x 0.50	RSOT0705CCCSTDT20	63.5	25.4
1.0 x 0.25	RSOT1002CCCSTDT20	66.7	28.6
1.0 x 0.375	RSOT1004CCCSTDT20	66.7	28.6
1.0 x 0.5	RSOT1005CCCSTDT20	66.7	28.6
1.0 x 0.75	RSOT1007CCCSTDT20	66.7	28.6
1.5 x 0.5	RSOT1505CCCSTDT20	73.0	34.9
1.5 x 0.75	RSOT1507CCCSTDT20	73.0	34.9
1.5 x 1.0	RSOT1510CCCSTDT20	73.0	34.9
2.0 x 0.5	RSOT2005CCCSTDT20	85.7	41.3
2.0 x 0.75	RSOT2007CCCSTDT20	85.7	41.3
2.0 x 1.0	RSOT2010CCCSTDT20	85.7	41.3
2.0 x 1.5	RSOT2015CCCSTDT20	85.7	41.3
2.5 x 0.5	RSOT2505CCCSTDT20	92.1	47.6
2.5 x 0.75	RSOT2507CCCSTDT20	92.1	47.6
2.5 x 1.0	RSOT2510CCCSTDT20	92.1	47.6
2.5 x 1.5	RSOT2515CCCSTDT20	92.1	47.6
2.5 x 2.0	RSOT2520CCCSTDT20	92.1	47.6
3.0 x 0.5	RSOT3005CCCSTDT20	98.4	54.0
3.0 x 0.75	RSOT3007CCCSTDT20	98.4	54.0



## BIOBORE TEES

### DT20 - Red Short Outlet Tee C/C/C (DT-4.1.2-9) ASME BPE

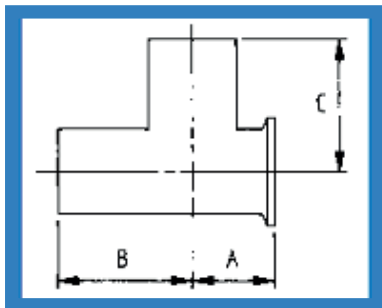
Size (ins)	Part Code	A (mm)	B (mm)
3.0 x 1.0	RSOT3010CCCSTDT20	98.4	54.0
3.0 x 1.5	RSOT3015CCCSTDT20	98.4	54.0
3.0 x 2.0	RSOT3020CCCSTDT20	98.4	54.0
3.0 x 2.5	RSOT3025CCCSTDT20	98.4	54.0
4.0 x 0.5	RSOT4005CCCSTDT20	120.7	66.7
4.0 x 0.75	RSOT4007CCCSTDT20	120.7	66.7
4.0 x 1.0	RSOT4010CCCSTDT20	120.7	66.7
4.0 x 1.5	RSOT4015CCCSTDT20	120.7	66.7
4.0 x 2.0	RSOT4020CCCSTDT20	120.7	66.7
4.0 x 2.5	RSOT4025CCCSTDT20	120.7	66.7
4.0 x 3.0	RSOT4030CCCSTDT20	120.7	66.7
6.0 x 4.0	RSOT6040CCCSTDT20	181.0	95.3



# BIOBORE TEES

## DT29 - Instrument Tee C/C/C (DT-4.1.2-11) ASME BPE

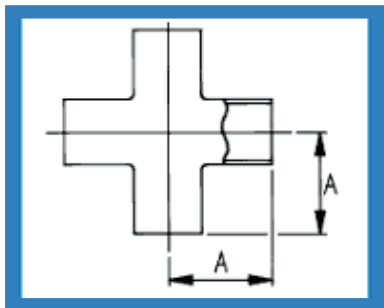
Size (ins)	Part Code	A (mm)	B (mm)
1.0 x 0.5 **	IT1005CCCSTDT29 **	77.0	22.2
1.0 x 0.75 **	IT1007CCCSTDT29 **	77.0	25.4
1.5 x 0.5	IT1505CCCSTDT29	76.2	22.2
1.5 x 0.75	IT1507CCCSTDT29	76.2	25.4
1.5 x 1.0	IT1510CCCSTDT29	76.2	28.6
2.0 x 0.5	IT2005CCCSTDT29	82.6	25.4
2.0 x 0.75	IT2007CCCSTDT29	82.6	28.6
2.0 x 1.0	IT2010CCCSTDT29	82.6	31.8
2.0 x 1.5	IT2015CCCSTDT29	82.6	38.1
2.5 x 0.5 **	IT2505CCCSTDT29 **	97.0	35.0
2.5 x 0.75 **	IT2507CCCSTDT29 **	97.0	38.1
2.5 x 1.0 **	IT2510CCCSTDT29 **	97.0	41.3
2.5 x 1.5 **	IT2515CCCSTDT29 **	97.0	44.5
2.5 x 2.0 **	IT2520CCCSTDT29 **	97.0	48.0
3.0 x 0.5 **	IT3005CCCSTDT29 **	102.0	38.1
3.0 x 0.75 **	IT3007CCCSTDT29 **	102.0	41.3
3.0 x 1.0 **	IT3010CCCSTDT29 **	102.0	44.5
3.0 x 1.5 **	IT3015CCCSTDT29 **	102.0	48.0
3.0 x 2.0 **	IT3020CCCSTDT29 **	102.0	50.8
3.0 x 2.5 **	IT3025CCCSTDT29 **	102.0	54.0
4.0 x 0.5 **	IT4005CCCSTDT29 **	122.0	79.4
4.0 x 0.75 **	IT4007CCCSTDT29 **	122.0	82.6
4.0 x 1.0 **	IT4010CCCSTDT29 **	122.0	85.7
4.0 x 1.5 **	IT4015CCCSTDT29 **	122.0	88.9
4.0 x 2.0 **	IT4020CCCSTDT29 **	122.0	95.2
4.0 x 2.5 **	IT4025CCCSTDT29 **	122.0	98.4
4.0 x 3.0 **	IT4030CCCSTDT29 **	122.0	101.6



## BIOBORE TEES

### DT25 - Short Out Run Tee W/W/C (DT-4.1.2-3) ASME BPE

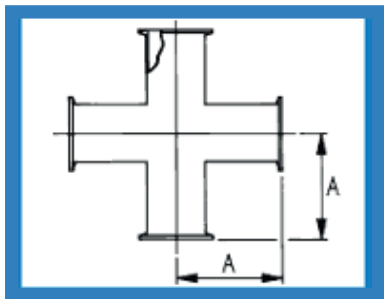
Size (ins)	Part Code	A (mm)	B (mm)	C (mm)
0.25	SORT02WWCSTDT25	22.4	44.5	44.5
0.375	SORT04WWCSTDT25	22.4	44.5	44.5
0.5	SORT05WWCSTDT25	22.4	47.6	47.6
0.75	SORT07WWCSTDT25	25.4	50.8	50.8
1.0	SORT10WWCSTDT25	28.6	54.0	54.0
1.5	SORT15WWCSTDT25	34.9	60.3	60.3
2.0	SORT20WWCSTDT25	41.3	73.0	73.0
2.5	SORT25WWCSTDT25	47.6	79.4	79.4
3.0	SORT30WWCSTDT25	54.0	85.7	85.7
4.0	SORT40WWCSTDT25	69.9	104.8	104.8
6.0	SORT60WWCSTDT25	117.5	142.9	142.9



## BIOBORE TEES

### DT9 - Equal Cross W/W/W/W (DT-4.1.2-1) ASME BPE

Size (ins)	Part Code	A (mm)
0.25	EC02WWWW	44.5
0.375	EC04WWWW	44.5
0.5	EC05WWWW	47.6
0.75	EC07WWWW	50.8
1.0	EC10WWWW	54.0
1.5	EC15WWWW	60.3
2.0	EC20WWWW	73.0
2.5	EC25WWWW	79.4
3.0	EC30WWWW	85.7
4.0	EC40WWWW	104.8
6.0	EC60WWWW	142.9



## BIOBORE TEES

### DT18 - Equal Cross C/C/C/C (DT-4.1.2-4) ASME BPE

Size (ins)	Part Code	A (mm)
0.25	EC02CCCC	57.2
0.375	EC04CCCC	57.2
0.5	EC05CCCC	60.33
0.75	EC07CCCC	63.50
1.0	EC10CCCC	66.7
1.5	EC15CCCC	73.0
2.0	EC20CCCC	85.7
2.5	EC25CCCC	92.1
3.0	EC30CCCC	98.4
4.0	EC40CCCC	120.7
6.0	EC60CCCC	181.0