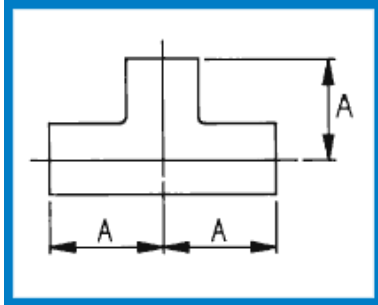


Biobore Tees



a  stainless **technologies** company



DT9 - Equal Tee W/W/W (DT-4.1.2-1) ✓ ASME BPE

Size (ins)	Part Code	A (mm)
0.25	ET02WWWSTDT9	44.5
0.375	ET04WWWSTDT9	44.5
0.5	ET05WWWSTDT9	47.6
0.75	ET07WWWSTDT9	50.8
1.0	ET10WWWSTDT9	54.0
1.5	ET15WWWSTDT9	60.3
2.0	ET20WWWSTDT9	73.0
2.5	ET25WWWSTDT9	79.4
3.0	ET30WWWSTDT9	85.7
4.0	ET40WWWSTDT9	104.8
6.0	ET60WWWSTDT9	142.9

Stainless Fittings. Tipton Road, Dudley, West Midlands DY1 4SQ

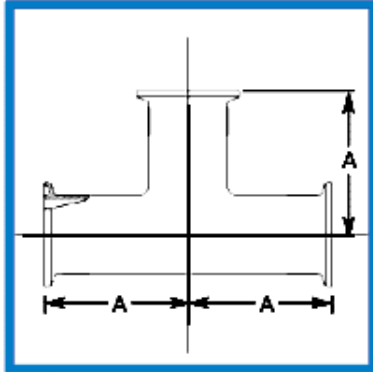
Tel: +44 (0)121 557 1188

E-mail: stainlessfittings@sfluk.co.uk www.sfluk.co.uk

Biobore Tees



a  stainless technologies company



DT18 - Equal Tee C/C/C (DT-4.1.2-4) ✓ ASME BPE

Size (ins)	Part Code	A (mm)
0.25	ET02CCCSTDT18	57.2
0.375	ET04CCCSTDT18	57.2
0.5	ET05CCCSTDT18	60.3
0.75	ET07CCCSTDT18	63.5
1.0	ET10CCCSTDT18	66.7
1.5	ET15CCCSTDT18	73.0
2.0	ET20CCCSTDT18	85.7
2.5	ET25CCCSTDT18	92.1
3.0	ET30CCCSTDT18	98.4
4.0	ET40CCCSTDT18	120.7
6.0	ET60CCCSTDT18	181.0

Stainless Fittings. Tipton Road, Dudley, West Midlands DY1 4SQ

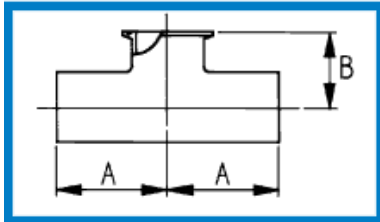
Tel: +44 (0)121 557 1188

E-mail: stainlessfittings@sfluk.co.uk www.sfluk.co.uk

Biobore Tees



a  stainless technologies company



DT15 - Eq Short Outlet Tee W/W/C (DT-4.1.2-2) ✓ ASME BPE

Size (ins)	Part Code	A (mm)	B (mm)
0.25	ES0T02WWCSTDT15	44.5	25.4
0.375	ES0T04WWCSTDT15	44.5	25.4
0.5	ES0T05WWCSTDT15	47.6	25.4
0.75	ES0T07WWCSTDT15	50.8	28.6
1.0	ES0T10WWCSTDT15	54.0	28.6
1.5	ES0T15WWCSTDT15	60.3	34.9
2.0	ES0T20WWCSTDT15	73.0	41.3
2.5	ES0T25WWCSTDT15	79.4	47.6
3.0	ES0T30WWCSTDT15	85.7	54.0
4.0	ES0T40WWCSTDT15	104.8	69.9
6.0	ES0T60WWCSTDT15	142.9	117.5

Stainless Fittings. Tipton Road, Dudley, West Midlands DY1 4SQ

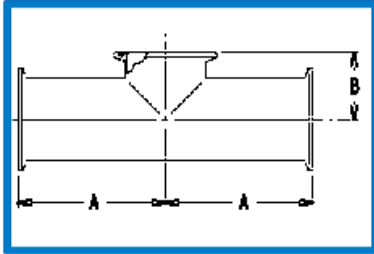
Tel: +44 (0)121 557 1188

E-mail: stainlessfittings@sfluk.co.uk www.sfluk.co.uk

Biobore Tees



a  stainless **technologies** company



DT27 - Eq Short Outlet Tee C/C/C (DT-4.1.2-5) ✓ ASME BPE

Size (ins)	Part Code	A (mm)	B (mm)
0.5	ES0T05CCCSTDT27	57.2	25.4
0.75	ES0T07CCCSTDT27	60.3	28.6
1.0	ES0T10CCCSTDT27	66.7	28.6
1.5	ES0T15CCCSTDT27	73.0	34.9
2.0	ES0T20CCCSTDT27	85.7	41.3
2.5	ES0T25CCCSTDT27	92.1	47.6
3.0	ES0T30CCCSTDT27	98.4	54.0
4.0	ES0T40CCCSTDT27	120.7	69.9
6.0	ES0T60CCCSTDT27	181.0	117.5

Stainless Fittings. Tipton Road, Dudley, West Midlands DY1 4SQ

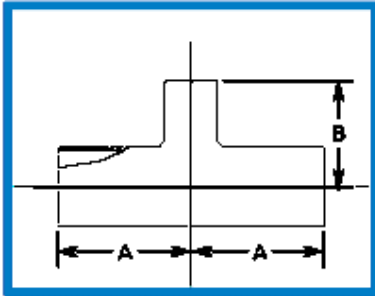
Tel: +44 (0)121 557 1188

E-mail: stainlessfittings@sfluk.co.uk www.sfluk.co.uk

Biobore Tees



a  company



DT10 - Reducing Tee W/W/W (DT-4.1.2-6) ✓ ASME BPE

Size (ins)	Part Code	A (mm)	B (mm)
0.375 x 0.25	RT0402WWWSTDT10	44.5	44.5
0.50 x 0.25	RT0502WWWTD10	47.6	47.6
0.50 x 0.375	RT0504WWWTD10	47.6	47.6
0.75 x 0.25	RT0702WWWTD10	50.8	50.8
0.75 x 0.375	RT0704WWWTD10	50.8	50.8
0.75 x 0.50	RT0705WWWTD10	50.8	50.8
1.0 x 0.25	RT1002WWWTD10	54.0	54.0
1.0 x 0.375	RT1004WWWTD10	54.0	54.0
1.0 x 0.5	RT1005WWWTD10	54.0	54.0
1.0 x 0.75	RT1007WWWTD10	54.0	54.0
1.5 x 0.5	RT1505WWWTD10	60.3	60.3
1.5 x 0.75	RT1507WWWTD10	60.3	60.3
1.5 x 1.0	RT1510WWWTD10	60.3	60.3
2.0 x 0.5	RT2005WWWTD10	73.0	66.7
2.0 x 0.75	RT2007WWWTD10	73.0	66.7
2.0 x 1.0	RT2010WWWTD10	73.0	66.7
2.0 x 1.5	RT2015WWWTD10	73.0	66.7
2.5 x 0.5	RT2505WWWTD10	79.4	73.0
2.5 x 0.75	RT2507WWWTD10	79.4	73.0
2.5 x 1.0	RT2510WWWTD10	79.4	73.0
2.5 x 1.5	RT2515WWWTD10	79.4	73.0
2.5 x 2.0	RT2520WWWTD10	79.4	73.0
3.0 x 0.5	RT3005WWWTD10	85.7	79.4
3.0 x 0.75	RT3007WWWTD10	85.7	79.4
3.0 x 1.0	RT3010WWWTD10	85.7	79.4
3.0 x 1.5	RT3015WWWTD10	85.7	79.4
3.0 x 2.0	RT3020WWWTD10	85.7	79.4
3.0 x 2.5	RT3025WWWTD10	85.7	79.4
4.0 x 0.5	RT4005WWWTD10	104.8	92.1
4.0 x 0.75	RT4007WWWTD10	104.8	92.1
4.0 x 1.0	RT4010WWWTD10	104.8	92.1

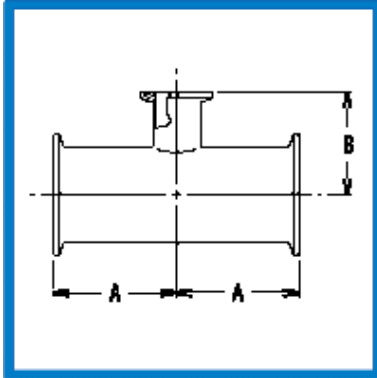
4.0 x 1.5	RT4015WWWTDT10	104.8	92.1
4.0 x 2.0	RT4020WWWTDT10	104.8	98.4
4.0 x 2.5	RT4025WWWTDT10	104.8	98.4
4.0 x 3.0	RT4030WWWTDT10	104.8	98.4
6.0 x 3.0	RT6030WWWTDT10	142.9	123.8
6.0 x 4.0	RT6040WWWTDT10	142.9	130.2

Stainless Fittings. Tipton Road, Dudley, West Midlands DY1 4SQ
Tel: +44 (0)121 557 1188
E-mail: stainlessfittings@sfluk.co.uk **www.sfluk.co.uk**

Biobore Tees



a  stainless technologies company



DT19 - Reducing Tee C/C/C (DT-4.1.2-8) ✓ ASME BPE

Size (ins)	Part Code	A (mm)	B (mm)
0.375 x 0.25	RT0402CCCSTDT19	57.2	57.2
0.50 x 0.25	RT0502CCCSTDT19	60.3	60.3
0.50 x 0.375	RT0504CCCSTDT19	60.3	60.3
0.75 x 0.25	RT0702CCCSTDT19	63.5	63.5
0.75 x 0.375	RT0704CCCSTDT19	63.5	63.5
0.75 x 0.50	RT0705CCCSTDT19	63.5	63.5
1.0 x 0.25	RT1002CCCSTDT19	66.7	66.7
1.0 x 0.375	RT1004CCCSTDT19	66.7	66.7
1.0 x 0.5	RT1005CCCSTDT19	66.7	66.7
1.0 x 0.75	RT1007CCCSTDT19	66.7	66.7
1.5 x 0.5	RT1505CCCSTDT19	73.0	73.0
1.5 x 0.75	RT1507CCCSTDT19	73.0	73.0
1.5 x 1.0	RT1510CCCSTDT19	73.0	73.0
2.0 x 0.5	RT2005CCCSTDT19	85.7	79.4
2.0 x 0.75	RT2007CCCSTDT19	85.7	79.4
2.0 x 1.0	RT2010CCCSTDT19	85.7	79.4
2.0 x 1.5	RT2015CCCSTDT19	85.7	79.4
2.5 x 0.5	RT2505CCCSTDT19	92.1	85.7
2.5 x 0.75	RT2507CCCSTDT19	92.1	85.7
2.5 x 1.0	RT2510CCCSTDT19	92.1	85.7
2.5 x 1.5	RT2515CCCSTDT19	92.1	85.7
2.5 x 2.0	RT2520CCCSTDT19	92.1	85.7
3.0 x 0.5	RT3005CCCSTDT19	98.4	92.1
3.0 x 0.75	RT3007CCCSTDT19	98.4	92.1
3.0 x 1.0	RT3010CCCSTDT19	98.4	92.1
3.0 x 1.5	RT3015CCCSTDT19	98.4	92.1
3.0 x 2.0	RT3020CCCSTDT19	98.4	92.1
3.0 x 2.5	RT3025CCCSTDT19	98.4	92.1
4.0 x 0.5	RT4005CCCSTDT19	120.7	104.8

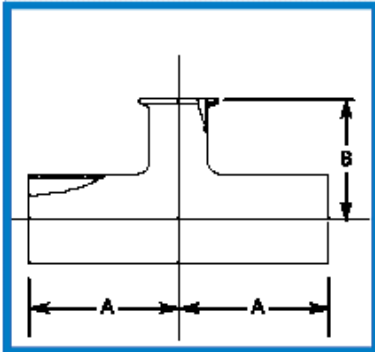
4.0 x 0.75	RT4007CCCSTDT19	120.7	104.8
4.0 x 1.0	RT4010CCCSTDT19	120.7	104.8
4.0 x 1.5	RT4015CCCSTDT19	120.7	104.8
4.0 x 2.0	RT4020CCCSTDT19	120.7	111.1
4.0 x 2.5	RT4025CCCSTDT19	120.7	111.1
4.0 x 3.0	RT4030CCCSTDT19	120.7	111.1
6.0 x 3.0	RT6030CCCSTDT19	181.0	136.5
6.0 x 4.0	RT6040CCCSTDT19	181.0	146.1

Stainless Fittings. Tipton Road, Dudley, West Midlands DY1 4SQ
Tel: +44 (0)121 557 1188
E-mail: stainlessfittings@sfluk.co.uk **www.sfluk.co.uk**

Biobore Tees



a  stainless technologies company



DT14 - Red Short Outlet Tee W/W/C (DT-4.1.2-7) ✓ ASME BPE

Size (ins)	Part Code	A (mm)	B (mm)
0.375 x 0.25	RSOT0402WWCSTDT14	44.5	25.4
0.50 x 0.25	RSOT0502WWCSTDT14	47.6	25.4
0.50 x 0.375	RSOT0504WWCSTDT14	47.6	25.4
0.75 x 0.25	RSOT0702WWCSTDT14	50.8	25.4
0.75 x 0.375	RSOT0704WWCSTDT14	50.8	25.4
0.75 x 0.50	RSOT0705WWCSTDT14	50.8	25.4
1.0 x 0.25	RSOT1002WWCSTDT14	54.0	28.6
1.0 x 0.375	RSOT1004WWCSTDT14	54.0	28.6
1.0 x 0.5	RSOT1005WWCSTDT14	54.0	28.6
1.0 x 0.75	RSOT1007WWCSTDT14	54.0	28.6
1.5 x 0.5	RSOT1505WWCSTDT14	60.3	34.9
1.5 x 0.75	RSOT1507WWCSTDT14	60.3	34.9
1.5 x 1.0	RSOT1510WWCSTDT14	60.3	34.9
2.0 x 0.5	RSOT2005WWCSTDT14	73.0	41.3
2.0 x 0.75	RSOT2007WWCSTDT14	73.0	41.3
2.0 x 1.0	RSOT2010WWCSTDT14	73.0	41.3
2.0 x 1.5	RSOT2015WWCSTDT14	73.0	41.3
2.5 x 0.5	RSOT2505WWCSTDT14	79.4	47.6
2.5 x 0.75	RSOT2507WWCSTDT14	79.4	47.6
2.5 x 1.0	RSOT2510WWCSTDT14	79.4	47.6
2.5 x 1.5	RSOT2515WWCSTDT14	79.4	47.6
2.5 x 2.0	RSOT2520WWCSTDT14	79.4	47.6
3.0 x 0.5	RSOT3005WWCSTDT14	85.7	54.0
3.0 x 0.75	RSOT3007WWCSTDT14	85.7	54.0
3.0 x 1.0	RSOT3010WWCSTDT14	85.7	54.0
3.0 x 1.5	RSOT3015WWCSTDT14	85.7	54.0
3.0 x 2.0	RSOT3020WWCSTDT14	85.7	54.0
3.0 x 2.5	RSOT3025WWCSTDT14	85.7	54.0
4.0 x 0.5	RSOT4005WWCSTDT14	104.8	66.7
4.0 x 0.75	RSOT4007WWCSTDT14	104.8	66.7

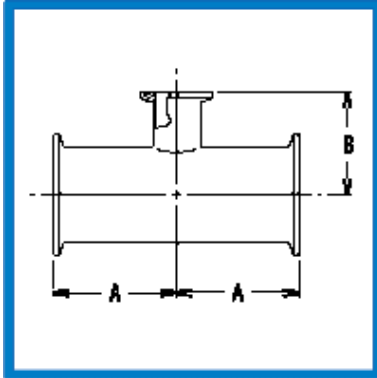
4.0 x 1.0	RSOT4010WWCSTD14	104.8	66.7
4.0 x 1.5	RSOT4015WWCSTD14	104.8	66.7
4.0 x 2.0	RSOT4020WWCSTD14	104.8	66.7
4.0 x 2.5	RSOT4025WWCSTD14	104.8	66.7
4.0 x 3.0	RSOT4030WWCSTD14	104.8	66.7
6.0 x 0.5	RSOT6005WWCSTD14	142.9	92.1
6.0 x 0.75	RSOT6007WWCSTD14	142.9	92.1
6.0 x 1.0	RSOT6010WWCSTD14	142.9	92.1
6.0 x 1.5	RSOT6015WWCSTD14	142.9	92.1
6.0 x 2.0	RSOT6020WWCSTD14	142.9	92.1
6.0 x 2.5	RSOT6025WWCSTD14	142.9	92.1
6.0 x 3.0	RSOT6030WWCSTD14	142.9	92.1
6.0 x 4.0	RSOT6040WWCSTD14	142.9	95.3

Stainless Fittings. Tipton Road, Dudley, West Midlands DY1 4SQ
Tel: +44 (0)121 557 1188
E-mail: stainlessfittings@sfluk.co.uk **www.sfluk.co.uk**

Biobore Tees



a  stainless technologies company



DT20 - Red Short Outlet Tee C/C/C (DT-4.1.2-9) ✓ ASME BPE

Size (ins)	Part Code	A (mm)	B (mm)
0.375 x 0.25	RSOT0402CCCSTDT20	57.2	25.4
0.50 x 0.25	RSOT0502CCCSTDT20	60.3	25.4
0.50 x 0.375	RSOT0504CCCSTDT20	60.3	25.4
0.75 x 0.25	RSOT0702CCCSTDT20	63.5	25.4
0.75 x 0.375	RSOT0704CCCSTDT20	63.5	25.4
0.75 x 0.50	RSOT0705CCCSTDT20	63.5	25.4
1.0 x 0.25	RSOT1002CCCSTDT20	66.7	28.6
1.0 x 0.375	RSOT1004CCCSTDT20	66.7	28.6
1.0 x 0.5	RSOT1005CCCSTDT20	66.7	28.6
1.0 x 0.75	RSOT1007CCCSTDT20	66.7	28.6
1.5 x 0.5	RSOT1505CCCSTDT20	73.0	34.9
1.5 x 0.75	RSOT1507CCCSTDT20	73.0	34.9
1.5 x 1.0	RSOT1510CCCSTDT20	73.0	34.9
2.0 x 0.5	RSOT2005CCCSTDT20	85.7	41.3
2.0 x 0.75	RSOT2007CCCSTDT20	85.7	41.3
2.0 x 1.0	RSOT2010CCCSTDT20	85.7	41.3
2.0 x 1.5	RSOT2015CCCSTDT20	85.7	41.3
2.5 x 0.5	RSOT2505CCCSTDT20	92.1	47.6
2.5 x 0.75	RSOT2507CCCSTDT20	92.1	47.6
2.5 x 1.0	RSOT2510CCCSTDT20	92.1	47.6
2.5 x 1.5	RSOT2515CCCSTDT20	92.1	47.6
2.5 x 2.0	RSOT2520CCCSTDT20	92.1	47.6
3.0 x 0.5	RSOT3005CCCSTDT20	98.4	54.0
3.0 x 0.75	RSOT3007CCCSTDT20	98.4	54.0
3.0 x 1.0	RSOT3010CCCSTDT20	98.4	54.0
3.0 x 1.5	RSOT3015CCCSTDT20	98.4	54.0
3.0 x 2.0	RSOT3020CCCSTDT20	98.4	54.0
3.0 x 2.5	RSOT3025CCCSTDT20	98.4	54.0
4.0 x 0.5	RSOT4005CCCSTDT20	120.7	66.7

4.0 x 0.75	RSOT4007CCCSTDT20	120.7	66.7
4.0 x 1.0	RSOT4010CCCSTDT20	120.7	66.7
4.0 x 1.5	RSOT4015CCCSTDT20	120.7	66.7
4.0 x 2.0	RSOT4020CCCSTDT20	120.7	66.7
4.0 x 2.5	RSOT4025CCCSTDT20	120.7	66.7
4.0 x 3.0	RSOT4030CCCSTDT20	120.7	66.7
6.0 x 4.0	RSOT6040CCCSTDT20	181.0	95.3

Stainless Fittings. Tipton Road, Dudley, West Midlands DY1 4SQ

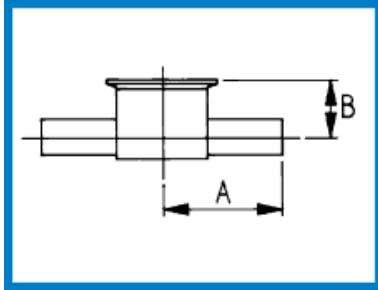
Tel: +44 (0)121 557 1188

E-mail: stainlessfittings@sfluk.co.uk **www.sfluk.co.uk**

Biobore Tees



a  company



DT28 - Instrument Tee W/W/C (DT-4.1.2-10) ✓ ASME BPE

Size (ins)	Part Code	A (mm)	B (mm)
1.0 x 0.5 **	IT1005WWCSTDT28 **	63.5	22.2
1.0 x 0.75 **	IT1007WWCSTDT28 **	63.5	25.4
1.5 x 0.5	IT1505WWCSTDT28	63.5	22.2
1.5 x 0.75	IT1507WWCSTDT28	63.5	25.4
1.5 x 1.0	IT1510WWCSTDT28	63.5	28.6
2.0 x 0.5	IT2005WWCSTDT28	69.8	25.4
2.0 x 0.75	IT2007WWCSTDT28	69.8	28.6
2.0 x 1.0	IT2010WWCSTDT28	69.8	31.8
2.0 x 1.5	IT2015WWCSTDT28	69.8	38.1
2.5 x 0.5 **	IT2505WWCSTDT28 **	85.0	35.0
2.5 x 0.75 **	IT2507WWCSTDT28 **	85.0	38.1
2.5 x 1.0 **	IT2510WWCSTDT28 **	85.0	41.3
2.5 x 1.5 **	IT2515WWCSTDT28 **	85.0	44.5
2.5 x 2.0 **	IT2520WWCSTDT28 **	85.0	48.0
3.0 x 0.5 **	IT3005WWCSTDT28 **	90.0	38.1
3.0 x 0.75 **	IT3007WWCSTDT28 **	90.0	41.3
3.0 x 1.0 **	IT3010WWCSTDT28 **	90.0	44.5
3.0 x 1.5 **	IT3015WWCSTDT28 **	90.0	48.0
3.0 x 2.0 **	IT3020WWCSTDT28 **	90.0	50.8
3.0 x 2.5 **	IT3025WWCSTDT28 **	90.0	54.0
4.0 x 0.5 **	IT4005WWCSTDT28 **	110.0	79.4
4.0 x 0.75 **	IT4007WWCSTDT28 **	110.0	82.6
4.0 x 1.0 **	IT4010WWCSTDT28 **	110.0	85.7
4.0 x 1.5 **	IT4015WWCSTDT28 **	110.0	88.9
4.0 x 2.0 **	IT4020WWCSTDT28 **	110.0	95.2
4.0 x 2.5 **	IT4025WWCSTDT28 **	110.0	98.4
4.0 x 3.0 **	IT4030WWCSTDT28 **	110.0	101.6

** Size not covered under ASME BPE

Stainless Fittings. Tipton Road, Dudley, West Midlands DY1 4SQ

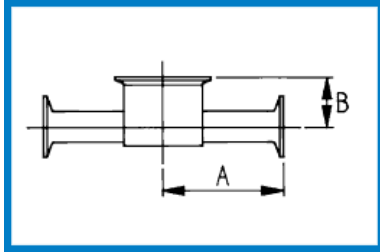
Tel: +44 (0)121 557 1188

E-mail: stainlessfittings@sfluk.co.uk **www.sfluk.co.uk**

Biobore Tees



a  stainless technologies company



DT29 - Instrument Tee C/C/C (DT-4.1.2-11) ✓ ASME BPE

Size (ins)	Part Code	A (mm)	B (mm)
1.0 x 0.5 **	IT1005CCCSTDT29 **	77.0	22.2
1.0 x 0.75 **	IT1007CCCSTDT29 **	77.0	25.4
1.5 x 0.5	IT1505CCCSTDT29	76.2	22.2
1.5 x 0.75	IT1507CCCSTDT29	76.2	25.4
1.5 x 1.0	IT1510CCCSTDT29	76.2	28.6
2.0 x 0.5	IT2005CCCSTDT29	82.6	25.4
2.0 x 0.75	IT2007CCCSTDT29	82.6	28.6
2.0 x 1.0	IT2010CCCSTDT29	82.6	31.8
2.0 x 1.5	IT2015CCCSTDT29	82.6	38.1
2.5 x 0.5 **	IT2505CCCSTDT29 **	97.0	35.0
2.5 x 0.75 **	IT2507CCCSTDT29 **	97.0	38.1
2.5 x 1.0 **	IT2510CCCSTDT29 **	97.0	41.3
2.5 x 1.5 **	IT2515CCCSTDT29 **	97.0	44.5
2.5 x 2.0 **	IT2520CCCSTDT29 **	97.0	48.0
3.0 x 0.5 **	IT3005CCCSTDT29 **	102.0	38.1
3.0 x 0.75 **	IT3007CCCSTDT29 **	102.0	41.3
3.0 x 1.0 **	IT3010CCCSTDT29 **	102.0	44.5
3.0 x 1.5 **	IT3015CCCSTDT29 **	102.0	48.0
3.0 x 2.0 **	IT3020CCCSTDT29 **	102.0	50.8
3.0 x 2.5 **	IT3025CCCSTDT29 **	102.0	54.0
4.0 x 0.5 **	IT4005CCCSTDT29 **	122.0	79.4
4.0 x 0.75 **	IT4007CCCSTDT29 **	122.0	82.6
4.0 x 1.0 **	IT4010CCCSTDT29 **	122.0	85.7
4.0 x 1.5 **	IT4015CCCSTDT29 **	122.0	88.9
4.0 x 2.0 **	IT4020CCCSTDT29 **	122.0	95.2
4.0 x 2.5 **	IT4025CCCSTDT29 **	122.0	98.4
4.0 x 3.0 **	IT4030CCCSTDT29 **	122.0	101.6

**Size not covered under ASME BPE

Stainless Fittings. Tipton Road, Dudley, West Midlands DY1 4SQ

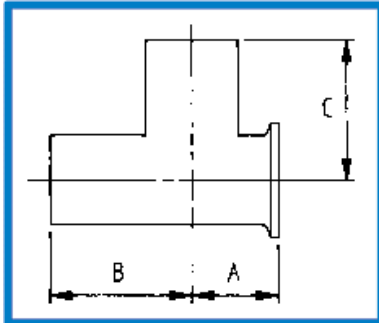
Tel: +44 (0)121 557 1188

E-mail: stainlessfittings@sfluk.co.uk **www.sfluk.co.uk**

Biobore Tees



a  stainless **technologies** company



DT25 - Short Out Run Tee W/W/C (DT-4.1.2-3) ✓ ASME BPE

Size (ins)

	Part Code	A (mm)	B (mm)	C (mm)
0.25	SORT02WWCSTDT25	22.4	44.5	44.5
0.375	SORT04WWCSTDT25	22.4	44.5	44.5
0.5	SORT05WWCSTDT25	22.4	47.6	47.6
0.75	SORT07WWCSTDT25	25.4	50.8	50.8
1.0	SORT10WWCSTDT25	28.6	54.0	54.0
1.5	SORT15WWCSTDT25	34.9	60.3	60.3
2.0	SORT20WWCSTDT25	41.3	73.0	73.0
2.5	SORT25WWCSTDT25	47.6	79.4	79.4
3.0	SORT30WWCSTDT25	54.0	85.7	85.7
4.0	SORT40WWCSTDT25	69.9	104.8	104.8
6.0	SORT60WWCSTDT25	117.5	142.9	142.9

Stainless Fittings. Tipton Road, Dudley, West Midlands DY1 4SQ

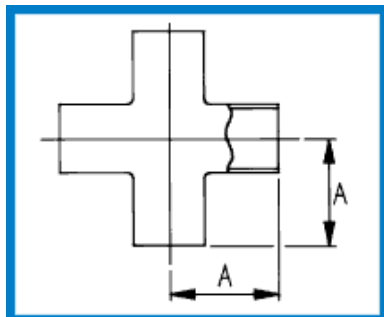
Tel: +44 (0)121 557 1188

E-mail: stainlessfittings@sfluk.co.uk www.sfluk.co.uk

Biobore Tees



a  stainless **technologies** company



DT9 - Equal Cross W/W/W/W (DT-4.1.2-1) ✓ ASME BPE

Size (ins)	Part Code	A (mm)
0.25	EC02WWWW	44.5
0.375	EC04WWWW	44.5
0.5	EC05WWWW	47.6
0.75	EC07WWWW	50.8
1.0	EC10WWWW	54.0
1.5	EC15WWWW	60.3
2.0	EC20WWWW	73.0
2.5	EC25WWWW	79.4
3.0	EC30WWWW	85.7
4.0	EC40WWWW	104.8
6.0	EC60WWWW	142.9

Stainless Fittings. Tipton Road, Dudley, West Midlands DY1 4SQ

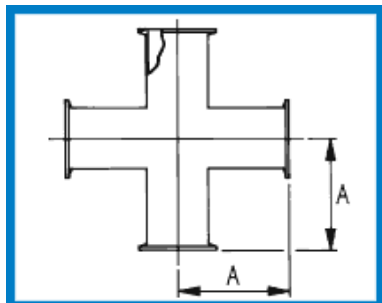
Tel: +44 (0)121 557 1188

E-mail: stainlessfittings@sfluk.co.uk www.sfluk.co.uk

Biobore Tees



a  stainless **technologies** company



DT18 - Equal Cross C/C/C/C (DT-4.1.2-4) ✓ ASME BPE

Size (ins)	Part Code	A (mm)
0.25	EC02CCCC	57.2
0.375	EC04CCCC	57.2
0.5	EC05CCCC	57.2
0.75	EC07CCCC	60.3
1.0	EC10CCCC	66.7
1.5	EC15CCCC	73.0
2.0	EC20CCCC	85.7
2.5	EC25CCCC	92.1
3.0	EC30CCCC	98.4
4.0	EC40CCCC	120.7
6.0	EC60CCCC	181.0

Stainless Fittings. Tipton Road, Dudley, West Midlands DY1 4SQ

Tel: +44 (0)121 557 1188

E-mail: stainlessfittings@sfluk.co.uk www.sfluk.co.uk

