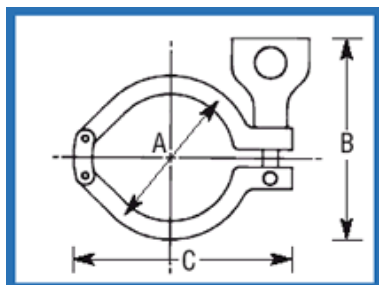


Non ASME BPE Products



a  stainless **technologies** company



Clamps (K750)

Size (ins)	Part Code	A (mm)	B (mm)	C (mm)
0.25	K750 0701P	28.57	65	53
0.375	K750 0701P	28.57	65	53
0.50	K750 0701P	28.57	65	53
0.75	K750 0701P	28.57	65	53
1.00	K750 1501P	53.89	80	95
1.50	K750 1501P	53.89	80	95
2.00	K750 2001P	67.41	85	105
2.50	K750 2501P	80.89	95	125
3.00	K750 3001P	94.41	95	140
4.00	K750 4001P	122.42	125	170
6.00	K750 6001P	170.05	190	220

Stainless Fittings. Tipton Road, Dudley, West Midlands DY1 4SQ

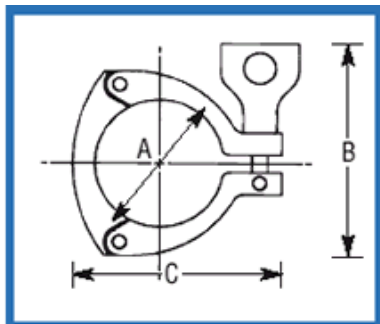
Tel: +44 (0)121 557 1188

E-mail: stainlessfittings@sfluk.co.uk www.sfluk.co.uk

Non ASME BPE Products



a  stainless technologies company



Clamp - Three Part (K752)

Size (ins)	Part Code	A (mm)	B (mm)	C (mm)
1.00	K752 1501P	53.89	85	85
1.50	K752 1501P	53.89	85	85
2.00	K752 2001P	67.41	90	95
2.50	K752 2501P	80.89	100	105
3.00	K752 3001P	94.41	110	125
4.00	K752 4001P	122.42	140	155

Stainless Fittings. Tipton Road, Dudley, West Midlands DY1 4SQ

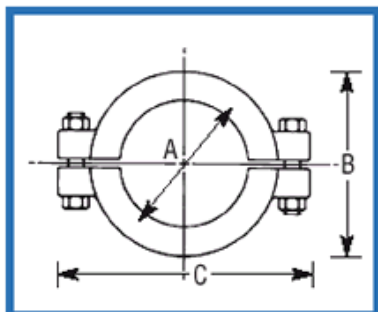
Tel: +44 (0)121 557 1188

E-mail: stainlessfittings@sfluk.co.uk www.sfluk.co.uk

Non ASME BPE Products



a  stainless technologies company



Clamp - High Pressure Bolted (K753)

Size (ins)	Part Code	Max Working Pressure (Bar) at 20 DegC	Max Working Pressure (Bar) at 120 DegC
1.0-1.5	K753 15 01P	40	20
2.0	K753 20 01P	35	19
2.5	K753 25 01P	30	15
3.0	K753 30 01P	24	12
4.0	K753 40 01P	20	10

Size (ins)	Part Code	A (mm)	B (mm)	C (mm)
1.00	K753 1501P	51.96	80	105
1.50	K753 1501P	51.96	80	105
2.00	K753 2001P	66.29	95	115
2.50	K753 2501P	78.99	105	130
3.00	K753 3001P	92.45	115	145
4.00	K753 4001P	120.49	135	175
6.00	K753 6001P	168.45	180	225

NOTE : ONLY TYPE 1 RUBBER GASKETS SHOULD BE USED WITH THE K753 HIGH PRESSURE BOLTED CLAMP. CONTACT STAINLESS FITTINGS FOR OTHER OPTIONS.

Stainless Fittings. Tipton Road, Dudley, West Midlands DY1 4SQ

Tel: +44 (0)121 557 1188

E-mail: stainlessfittings@sfluk.co.uk www.sfluk.co.uk