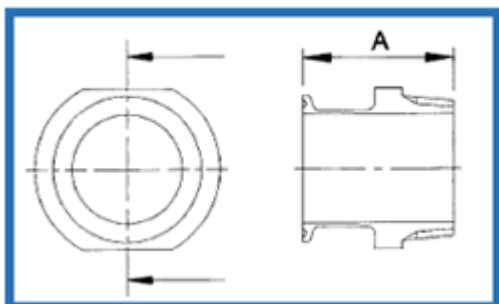


Non ASME BPE Products



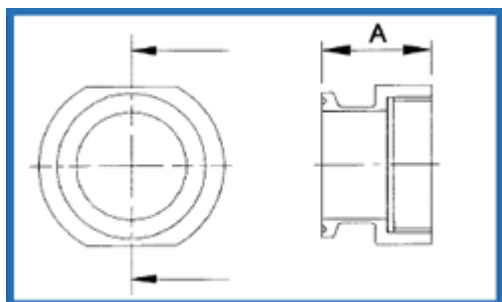
a stainless technologies company

Adaptors



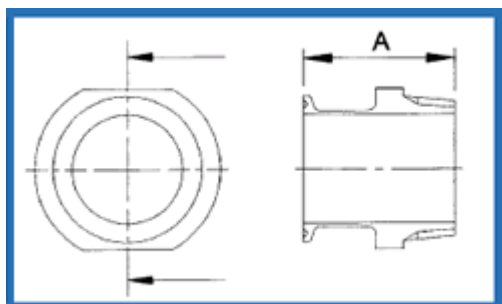
K204 Adaptor Clamp/BSPT Male

Size (ins)	Part Code	A (mm)
0.5	K204 05	50.8
0.75	K204 07	50.8
1.0	K204 10	50.8
1.5	K204 15	60.3
2.0	K204 20	63.5
2.5	K204 25	70.0
3.0	K204 30	79.0
4.0	K204 40	90.0



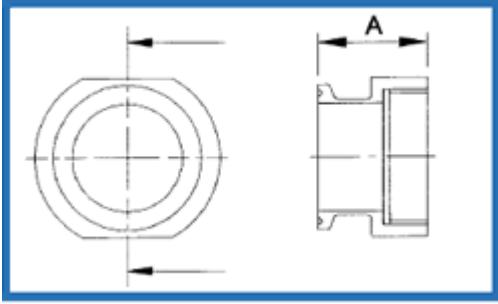
K205 Adaptor Clamp/BSPT Female

Size (ins)	Part Code	A (mm)
0.5	K205 05	44.0
0.75	K205 07	44.0
1.0	K205 10	44.0
1.5	K205 15	51.0
2.0	K205 20	52.5
2.5	K205 25	58.0
3.0	K205 30	65.0
4.0	K205 40	75.0



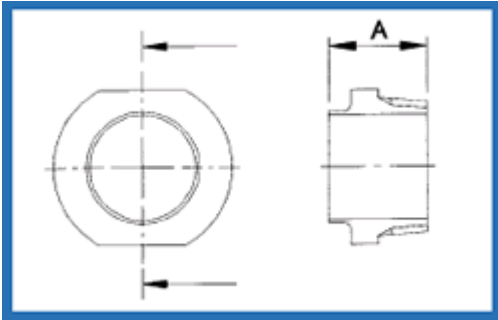
K214 Adaptor Clamp/NPT Male

Size (ins)	Part Code	A (mm)
0.5	K214 05	50.8
0.75	K214 07	50.8
1.0	K214 10	50.8
1.5	K214 15	60.3
2.0	K214 20	63.5
2.5	K214 25	70.0
3.0	K214 30	79.0
4.0	K214 40	90.0



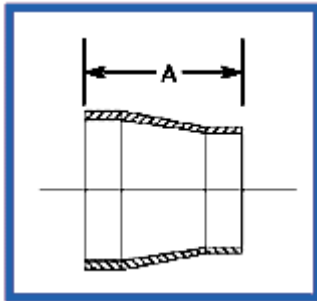
K215 Adaptor Clamp/NPT Female

Size (ins)	Part Code	A(mm)
0.5	K215 05	44.0
0.75	K215 07	44.0
1.0	K215 10	44.0
1.5	K215 15	51.0
2.0	K215 20	52.5
2.5	K215 25	58.0
3.0	K215 30	65.0
4.0	K215 40	75.0



N198 Adaptor Tube/BSPT Male

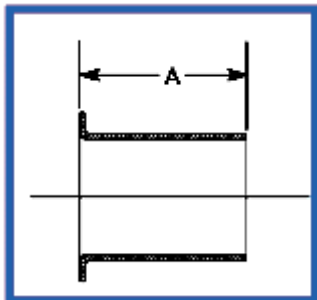
Size (ins)	Part Code	A (mm)
0.5	N198 05	50.8
0.75	N198 07	50.8
1.0	N198 10	69.8
1.5	N198 15	69.8
2.0	N198 20	69.8
2.5	N198 25	69.8
3.0	N198 30	69.8
4.0	N198 40	69.8



N219 Adaptor O/D Tube/N/B Pipe SCH 10*

Size (ins)	Part Code	A (mm)
0.5	N219 05	25.4
0.75	N219 07	25.4
1.0	N219 10	25.4
1.5	N219 15	38.1
2.0	N219 20	38.1
2.5	N219 25	38.1
3.0	N219 30	70.0
4.0	N219 40	70.0

* Other pipe schedules available on request



N191 Stub End

Size (ins)	Part Code	A (mm)
0.5	N191 05	50.8
0.75	N191 07	50.8
1.0	N191 10	69.8
1.5	N191 15	69.8
2.0	N191 20	69.8
2.5	N191 25	69.8
3.0	N191 30	69.8
4.0	N191 40	69.8