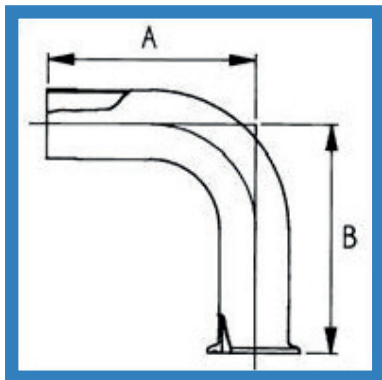


BIOBORE BENDS

DT7 - 90 degree bend W/W (DT-4.1.1-1) ASME BPE

Size (ins)	Part Code	A (mm)
0.25	90B02WWSTDT7	66.7
0.375	90B04WWSTDT7	66.7
0.5	90B05WWSTDT7	76.2
0.75	90B07WWSTDT7	76.2
1.0	90B10WWSTDT7	76.2
1.5	90B15WWSTDT7	95.3
2.0	90B20WWSTDT7	120.7
2.5	90B25WWSTDT7	139.7
3.0	90B30WWSTDT7	158.8
4.0	90B40WWSTDT7	203.2
6.0	90B60WWSTDT7	292.1

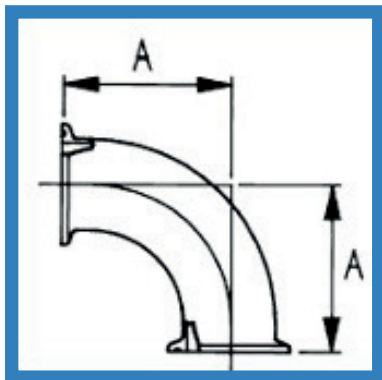
*** We currently also supply a range of 88 Degree and 92 Degree bends - Please Enquire!*



BIOBORE BENDS

DT12 - 90 Degree bend C/W (DT-4.1.1-2) ASME BPE

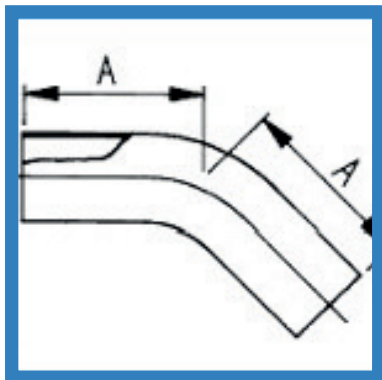
Size (ins)	Part Code	A (mm)	B (mm)
0.25	90B02CWSTDT12	66.7	41.3
0.375	90B04CWSTDT12	66.7	41.3
0.5	90B05CWSTDT12	76.2	41.3
0.75	90B07CWSTDT12	76.2	41.3
1.0	90B10CWSTDT12	76.2	50.8
1.5	90B15CWSTDT12	95.3	69.9
2.0	90B20CWSTDT12	120.7	88.9
2.5	90B25CWSTDT12	139.7	108.0
3.0	90B30CWSTDT12	158.8	127.0
4.0	90B40CWSTDT12	203.2	168.3
6.0	90B60CWSTDT12	292.1	266.7



BIOBORE BENDS

DT16 - 90 Degree bend C/C (DT-4.1.1-3) ASME BPE

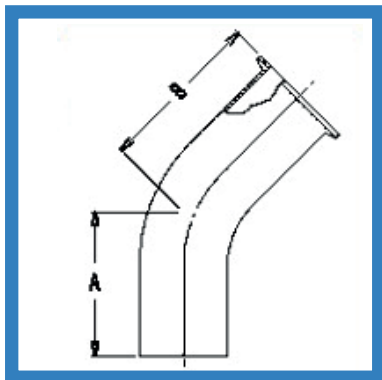
Size (ins)	Part Code	A (mm)
0.25	90B02CCSTDT16	41.3
0.375	90B04CCSTDT16	41.3
0.5	90B05CCSTDT16	41.3
0.75	90B07CCSTDT16	41.3
1.0	90B10CCSTDT16	50.8
1.5	90B15CCSTDT16	69.9
2.0	90B20CCSTDT16	88.9
2.5	90B25CCSTDT16	108.0
3.0	90B30CCSTDT16	127.0
4.0	90B40CCSTDT16	168.3
6.0	90B60CCSTDT16	266.7



BIOBORE BENDS

DT8 - 45 Degree bend WW (DT-4.1.1-4) ASME BPE

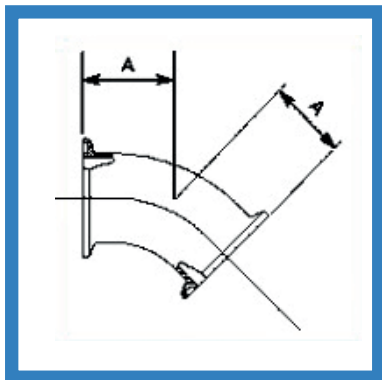
Size (ins)	Part Code	A (mm)
0.25	45B02WWSTDT8	50.8
0.375	45B04WWSTDT8	50.8
0.5	45B05WWSTDT8	57.2
0.75	45B07WWSTDT8	57.2
1.0	45B10WWSTDT8	57.2
1.5	45B15WWSTDT8	63.5
2.0	45B20WWSTDT8	76.2
2.5	45B25WWSTDT8	85.7
3.0	45B30WWSTDT8	92.1
4.0	45B40WWSTDT8	114.3
6.0	45B60WWSTDT8	158.8



BIOBORE BENDS

DT13 - 45 Degree Bend C/W (DT-4.1.1-5) ASME BPE

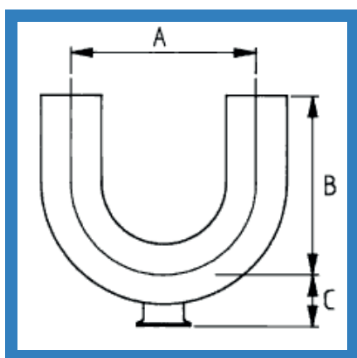
Size (ins)	Part Code	A (mm)	B (mm)
0.25	45B02CWSTDT13	50.8	25.4
0.375	45B04CWSTDT13	50.8	25.4
0.5	45B05CWSTDT13	57.2	25.4
0.75	45B07CWSTDT13	57.2	25.4
1.0	45B10CWSTDT13	57.2	28.6
1.5	45B15CWSTDT13	63.5	36.5
2.0	45B20CWSTDT13	76.2	44.5
2.5	45B25CWSTDT13	85.7	52.4
3.0	45B30CWSTDT13	92.1	60.3
4.0	45B40CWSTDT13	114.3	79.4
6.0	45B60CWSTDT13	158.8	133.4



BIOBORE BENDS

DT17 - 45 Degree Bend C/C (DT-4.1.1-6) ASME BPE

Size (ins)	Part Code	A (mm)
0.25	45B02CCSTDT17	25.4
0.375	45B04CCSTDT17	25.4
0.5	45B05CCSTDT17	25.4
0.75	45B07CCSTDT17	25.4
1.0	45B10CCSTDT17	28.6
1.5	45B15CCSTDT17	36.5
2.0	45B20CCSTDT17	44.5
2.5	45B25CCSTDT17	52.4
3.0	45B30CCSTDT17	60.3
4.0	45B40CCSTDT17	79.4
6.0	45B60CCSTDT17	133.4

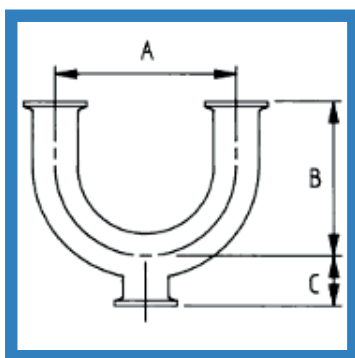


BIOBORE BENDS

Outlet Loop W/W/C

Dimension 'A' available upon request

Size (ins)	Part Code	B (mm)	C (mm)
1.0 x 0.5	OL1005WWC	76.2	31.7
1.0 x 0.75	OL1007WWC	76.2	31.7
1.5 x 0.5	OL1505WWC	114.3	38.1
1.5 x 0.75	OL1507WWC	114.3	38.1
1.5 x 1.0	OL1510WWC	114.3	38.1
2.0 x 0.5	OL2005WWC	127.0	44.5
2.0 x 0.75	OL2007WWC	127.0	44.5
2.0 x 1.0	OL2010WWC	127.0	50.8
2.0 x 1.5	OL2015WWC	127.0	44.5
2.5 x 0.5	OL2505WWC	146.1	50.8
2.5 x 0.75	OL2507WWC	146.1	50.8
2.5 x 1.0	OL2510WWC	146.1	55.5
2.5 x 1.5	OL2515WWC	146.1	50.8
2.5 x 2.0	OL2520WWC	146.1	60.3
3.0 x 0.5	OL3005WWC	165.1	57.2
3.0 x 0.75	OL3007WWC	165.1	57.2
3.0 x 1.0	OL3010WWC	165.1	63.5
3.0 x 1.5	OL3015WWC	165.1	58.7
3.0 x 2.0	OL3020WWC	165.1	57.2
3.0 x 2.5	OL3025WWC	165.1	66.7
4.0 x 0.5	OL4005WWC	215.9	69.8
4.0 x 0.75	OL4007WWC	215.9	69.8
4.0 x 1.0	OL4010WWC	215.9	77.8
4.0 x 1.5	OL4015WWC	215.9	74.6
4.0 x 2.0	OL4020WWC	215.9	69.8
4.0 x 2.5	OL4025WWC	215.9	79.4
4.0 x 3.0	OL4030WWC	215.9	79.4



BIOBORE BENDS

Outlet Loop C/C/C

Dimension 'A' available upon request

Size (ins)	Part Code	B (mm)	C (mm)
1.0 x 0.5	OL1005CCC	88.9	31.7
1.0 x 0.75	OL1007CCC	88.9	31.7
1.5 x 0.5	OL1505CCC	127.0	38.1
1.5 x 0.75	OL1507CCC	127.0	38.1
1.5 x 1.0	OL1510CCC	127.0	38.1
2.0 x 0.5	OL2005CCC	139.7	44.5
2.0 x 0.75	OL2007CCC	139.7	44.5
2.0 x 1.0	OL2010CCC	139.7	50.8
2.0 x 1.5	OL2015CCC	139.7	44.5
2.5 x 0.5	OL2505CCC	158.8	50.8
2.5 x 0.75	OL2507CCC	158.8	50.8
2.5 x 1.0	OL2510CCC	158.8	55.5
2.5 x 1.5	OL2515CCC	158.8	50.8
2.5 x 2.0	OL2520CCC	158.8	60.3
3.0 x 0.5	OL3005CCC	177.8	57.2
3.0 x 0.75	OL3007CCC	177.8	57.2
3.0 x 1.0	OL3010CCC	177.8	63.5
3.0 x 1.5	OL3015CCC	177.8	58.7
3.0 x 2.0	OL3020CCC	177.8	57.2
3.0 x 2.5	OL3025CCC	177.8	66.7
4.0 x 0.5	OL4005CCC	231.8	69.8
4.0 x 0.75	OL4007CCC	231.8	69.8
4.0 x 1.0	OL4010CCC	231.8	77.8
4.0 x 1.5	OL4015CCC	231.8	74.6
4.0 x 2.0	OL4020CCC	231.8	69.8
4.0 x 2.5	OL4025CCC	231.8	79.4
4.0 x 3.0	OL4030CCC	231.8	79.4