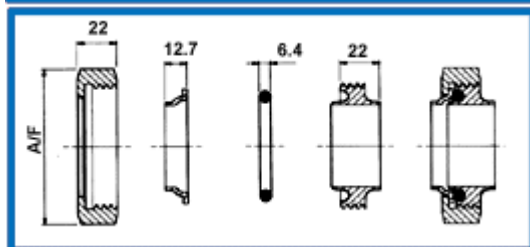
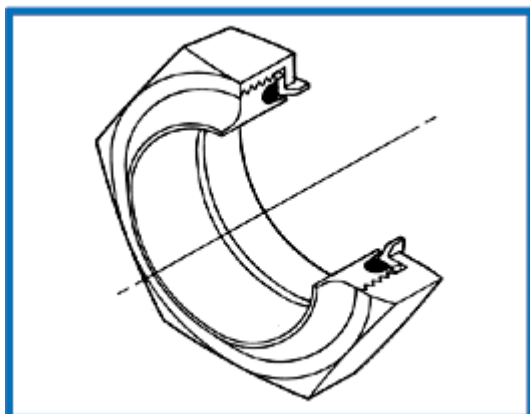


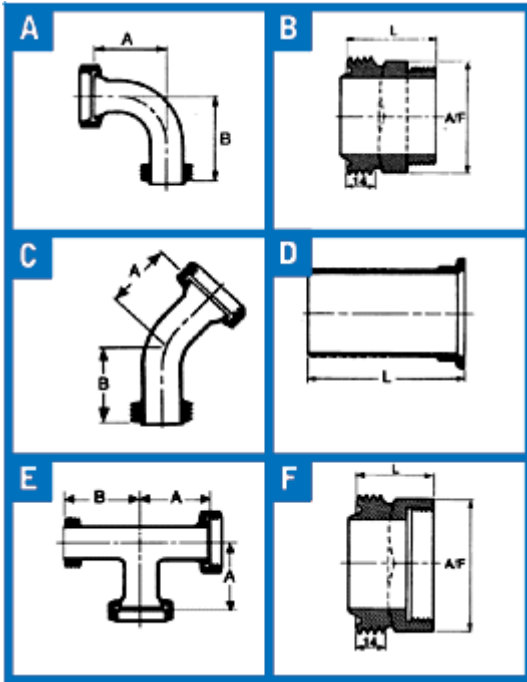
## Unions - RJT (BS4825 PT5)



**The RJT union** is the most widely specified fitting for the UK food and beverage industry. It is particularly suitable for applications requiring frequent dismantling.

- Robust construction enabling repeated dismantling for sterilising and washing, with no reduction in performance.
- 10 bar working pressure.
- Wide range of seal material including Nitrile, EPDM, Viton and PTFE.
- Stainless steel 316 versions available.
- Size range 1' - 4"

Size	Hex Nut		Seal	Bore Size (mm)
	A/F (mm)	L (mm)	ID (mm)	
1	51	22	27	22.2
1.5	65	22	39.7	34.9
2	79	22	52.4	47.6
2.5	92	22	65.1	60.3
3	105	22	77.8	73.0
4	130	22	103.2	97.6 (14 swg)
CODE	R101		-	RW32



**A**

90 BEND MALE x FEMALE CODE R146						
Size	1.0"	1.5"	2.0"	2.5"	3.0"	4.0"
A (mm)	57	77	102	127	147	187
B (mm)	66	86	111	136	156	196

**B**

MALE TO BSP MALE ADAPTOR CODE R135						
Size	1.0"	1.5"	2.0"	2.5"	3.0"	-
L (mm)	51	57	60	63	64	-
AF (mm)	42	56	70	90	106	-

**C**

45° BEND FEMALE x MALE CODE R192						
Size	1.0"	1.5"	2.0"	2.5"	3.0"	4.0"
A (mm)	35	44	57	71	81	98
B (mm)	44	53	66	80	90	107

**D**

HOSE LINER CODE R125						
Size	1.0"	1.5"	2.0"	2.5"	3.0"	4.0"
L (mm)	89	95	98	108	114	165

**E**

TEE MALE x FEMALE x FEMALE CODE R164						
Size	1.0"	1.5"	2.0"	2.5"	3.0"	4.0"
A (mm)	57	77	102	127	147	187
B (mm)	66	88	111	135	156	196

**F**

MALE TO BSP FEMALE ADAPTOR CODE R186						
Size	1.0"	1.5"	2.0"	2.5"	3.0"	-
L (mm)	44	50	54	54	55	-
A/F (mm)	42	56	70	90	106	-

