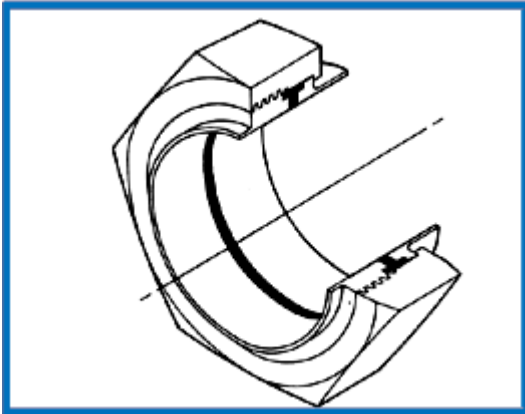
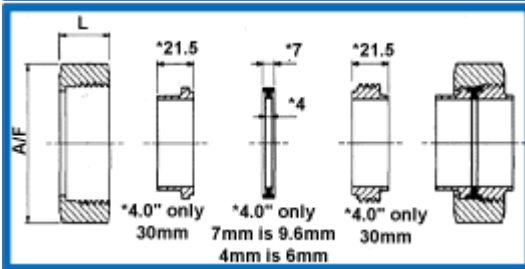


Unions - IDF (BS4825 PT4)

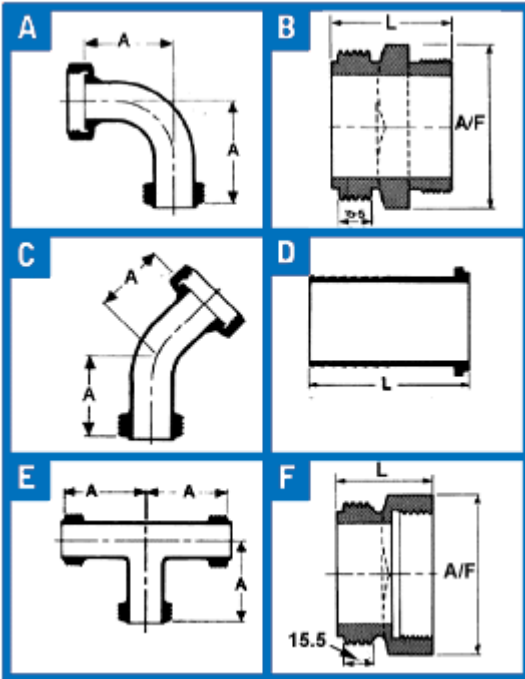


The IDF union is particularly suitable for applications where CIP pipelines are permanently in place.

- Crevice free, fully hygienic
- CIP compatible
- Available with a round nut to limit risk of unauthorised dismantling, giving added security
- 16 bar working pressure, reinforced seal above 10 bar
- Wide range of seal material including Nitrile, EPDM, Viton and PTFE
- Stainless steel 316 contact parts
- Size range 1" - 4"



Size	Hex Nut		Seal	Bore Size
	A/F (mm)	L (mm)		
1	46	30	22.2	22.2
1.5	60	30	34.9	34.9
2	75	30	47.6	47.6
2.5	90	30	60.3	60.3
3	105	30	73.0	73.0
4	133	35	97.6	97.6 (14 swg)
CODE	F101		-	FW32



A 90° BEND MALE x FEMALE CODE F146						
Size	1.0"	1.5"	2.0"	2.5"	3.0"	4.0"
A (mm)	65	85	110	135	155	203

B ADAPTOR - MALE TO BSP MALE CODE F135						
Size	1.0"	1.5"	2.0"	2.5"	3.0"	-
L (mm)	51	57	60	63	64	-
A/F(mm)	42	56	70	90	106	-

C 45° BEND FEMALE x MALE CODE F192						
Size	1.0"	1.5"	2.0"	2.5"	3.0"	4.0"
A (mm)	43	52	65	79	89	115

D HOSE LINER CODE F125						
Size	1.0"	1.5"	2.0"	2.5"	3.0"	4.0"
L (mm)	97	104	107	116	123	182

E TEE MALE x MALE x MALE OR FEMALE*						
Size	1.0"	1.5"	2.0"	2.5"	3.0"	4.0"
A (mm)	65	85	110	135	155	203

F ADAPTOR - MALE TO BSP FEMALE CODE F186						
Size	1.0"	1.5"	2.0"	2.5"	3.0"	-
L (mm)	44	50	54	54	54	-
A/F (mm)	42	56	70	90	106	-

* REQUEST CODE FOR COMBINATIONS

