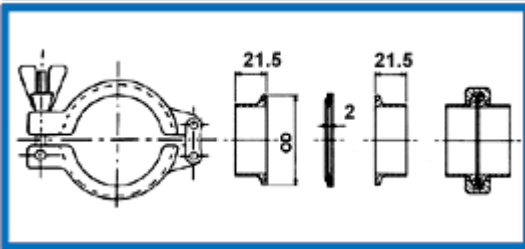
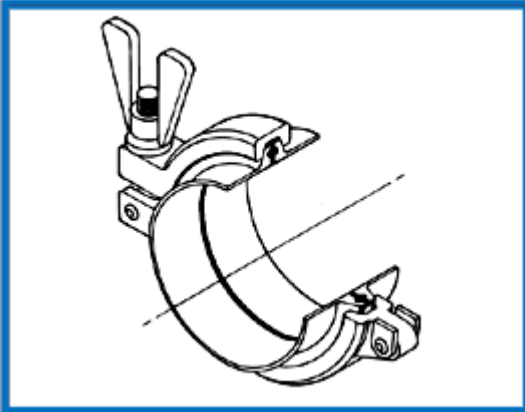


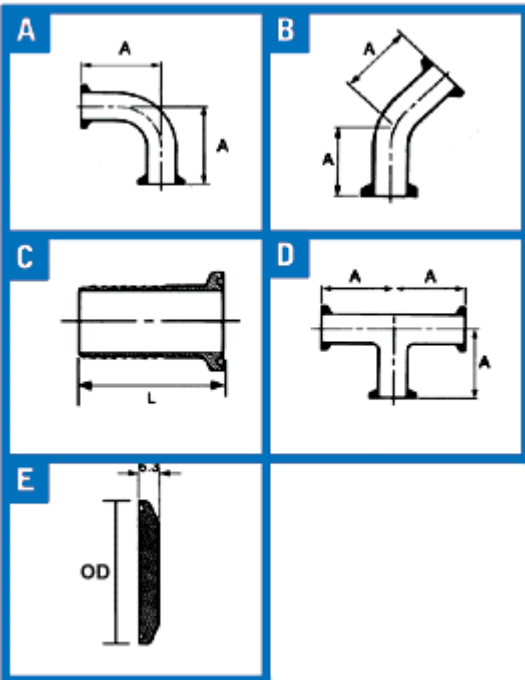
Unions - Clamp (BS4825 PT3)



The Clamp union offers you simple, rapid disconnection without the use of tools, saving time and money.

- Identical ferrules helps simplify plant design and maintenance
- 10 bar working pressure (1/2" - 4")
- Crevice free, fully hygienic
- CIP compatible
- Lipped seal aids assembly
- Wide range of seal material including Silicone, EPDM, Viton and PTFE
- Stainless steel 316L contact parts
- Size range 1/2" - 12"

Size	OD (mm)	Bore Size (mm)
0.5"	25.0	9.5
0.75"	25.0	16.0
1.0"	50.5	22.2
1.5"	50.5	34.9
2.0"	64.0	47.6
2.5"	77.5	60.3
3.0"	91.0	73.0
4.0"	119	97.6 (14 swg)



A

CLAMP 90° BEND CODE TC128							
Size	1.0"	1.5"	2.0"	2.5"	3.0"	4.0"	
A (mm)	65	85	110	135	155	195	

B

CLAMP 45° BEND CODE TC192							
Size	1.0"	1.5"	2.0"	2.5"	3.0"	4.0"	
A (mm)	43	52	65	79	89	106	

C

CLAMP HOSE LINER CODE TC125							
Size	1.0"	1.5"	2.0"	2.5"	3.0"	4.0"	
L (mm)	97	103	106	116	122	173	

D

CLAMP TEE CODE TC109							
Size	1.0"	1.5"	2.0"	2.5"	3.0"	4.0"	
A (mm)	65	85	110	135	155	196	

E

CLAMP PLAIN BLANK CODE TC103							
Size	1.0"	1.5"	2.0"	2.5"	3.0"	4.0"	
OD (mm)	50.5	50.5	64	77.5	91	119	

Dairy Pipe Line Ltd, Unit 1, Dencora Park, Shire Hill, Saffron Walden, Essex CB11 3GB.
Tel: +44 (0)1799 522 885 | Fax: +44 (0)1799 525 916
Email: dairypipelines@dpluk.co.uk **www.dpluk.co.uk**

