

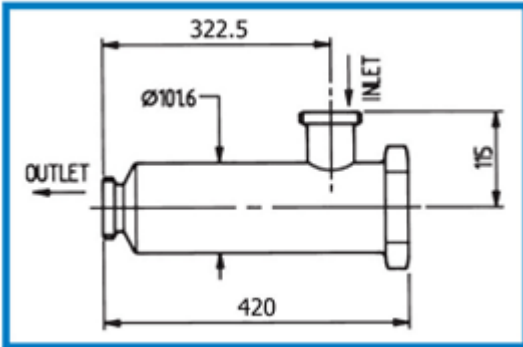
## Stainless Steel Filters

### ATEX approved version available - Enquire for more details!

To ensure that product remains free from unwanted foreign bodies and oversize solids, DPL offer a range of filters to suit your requirements. Other sizes and designs are available, please enquire.

All the following dimensions apply to filters with fitted ends as follows:

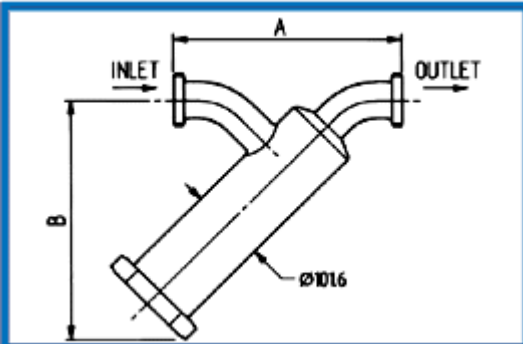
ILC, IDF, RJT Male, ILC Female and Clamp - other variations available, please ask.



### Side Entry Filter

The Side Entry filter allows the element to be removed for cleaning or replaced without taking the filter assembly out of the pipeline.

**Available in 1.0" to 3.0" size range**  
**See table below for available filtration sizes**

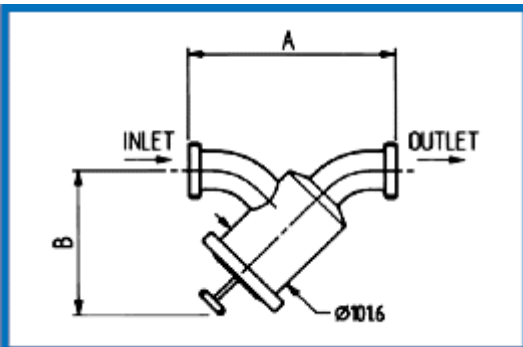


### 'Y' Type Filter

The 'Y' Type filter is designed for use where 'in-line' filtration is required. The element can be changed or cleaned without removing the assembly from the pipeline.

Y TYPE FILTER					
Size	1.0"	1.5"	2.0"	2.5"	3.0"
A (mm)	277	316	374	434	483
B (mm)	356	364	376	389	400

**See table below for available filtration sizes**



### Pump Protection Filter

The Pump Protection filter is used upstream of the pump for protection from foreign bodies and oversize solids.

PUMP PROTECTION FILTER					
Size	1.0"	1.5"	2.0"	2.5"	3.0"
A (mm)	247	286	343	404	453
B (mm)	186	194	206	219	229

**3mm or 6mm Perforated element fitted as standard (no mesh)**

**Open area for either option is 40%**

**FILTRATION SIZES AVAILABLE**

Mesh per inch	-	10	20	60	100
Wire Dia mm	-	0.56	0.32	0.16	0.1
Aperture mm	6.0	2.0	1.0	0.25	0.16
Open area %	40	60	57	38	38

Side entry and Y type filters are supplied with elements consisting of a 6mm perforated tube inside a mesh sleeve. The 6mm perforated tube is also available without the mesh sleeve as shown on the table. Pump protection filters are supplied with either a 3mm or 6mm perforated tube only (no mesh). Wetted parts are 316L grade stainless steel, seal material is EPDM / Nitrile, hygienic design throughout.

**ATEX approved version available for use in potentially explosive atmospheres.**

**Group 2, Category 2, Gas and dust compliant**



---

Dairy Pipe Line Ltd, Unit 1, Dencora Park, Shire Hill, Saffron Walden, Essex CB11 3GB.  
Tel: +44 (0)1799 522 885 | Fax: +44 (0)1799 525 916  
Email: dairypipelines@dpluk.co.uk **www.dpluk.co.uk**

