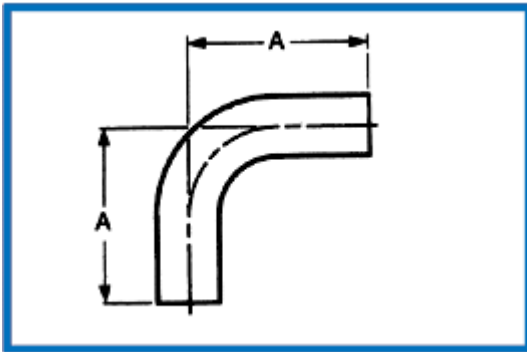


## Plain Bends & Tees (BS4825 PT2)

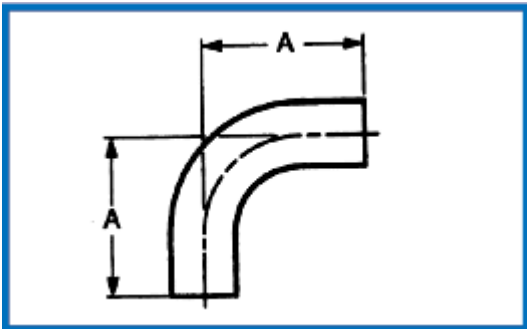
- Special bends can be made to your requirements.
- Jacketed pipework incorporating bends, together with jacketed bends and tees, are available for applications where the product is continually heated. Please contact DPL.

- Plain bends and tees conform to ISO standards and BS 4825 PT 2 for orbital or hand welding on site.
- Plain bends can be supplied with radii other than BS 4825 if required. Please consult with DPL.

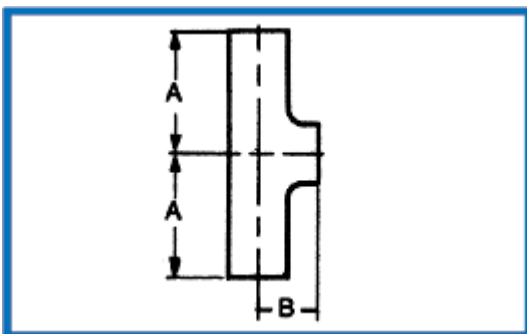


90° PLAIN BEND CODE 77 (ISO) LONG								
Size	0.5"	0.75"	1.0"	1.5"	2.0"	2.5"	3.0"	4.0"
A (mm)	**	**	65	85	110	135	155	195

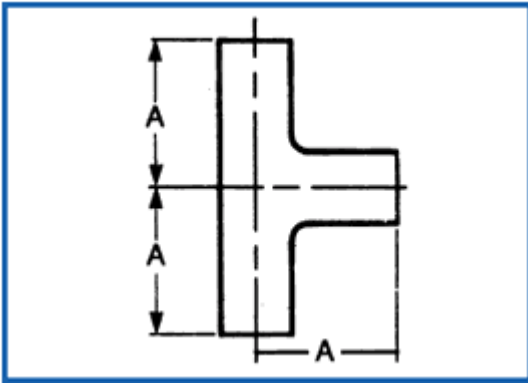
\*\*please enquire with DPL



90° PLAIN BEND CODE 78 (BS) SHORT						
Size	1.0"	1.5"	2.0"	2.5"	3.0"	4.0"
A (mm)	44	64	89	114	134	174



PLAIN PULLED TEE CODE 169						
Size	1.0"	1.5"	2.0"	2.5"	3.0"	4.0"
A (mm)	44	64	89	114	134	174
B (mm)	14.3	22.2	28.6	34.9	41.3	54



PLAIN TEE CODE 168 WELDING TYPE								
Size	0.5"	0.75"	1.0"	1.5"	2.0"	2.5"	3.0"	4.0"
A (mm)	32	44.5	44	64	89	114	134	174

V-02

---

Dairy Pipe Line Ltd, Unit 1, Dencora Park, Shire Hill, Saffron Walden, Essex CB11 3GB.  
 Tel: +44 (0)1799 522 885 | Fax: +44 (0)1799 525 916  
 Email: dairypipelines@dpluk.co.uk **www.dpluk.co.uk**

