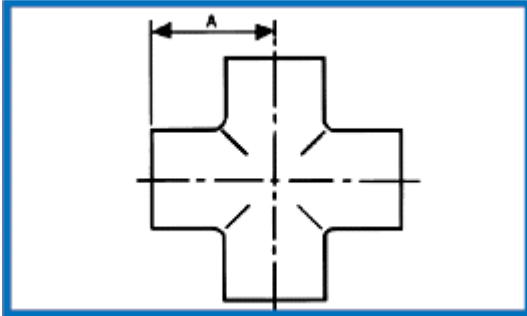
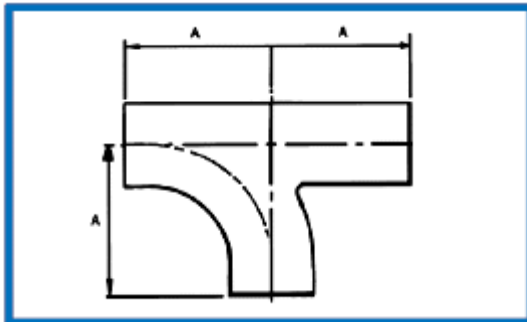


Crosses & Y-Pieces

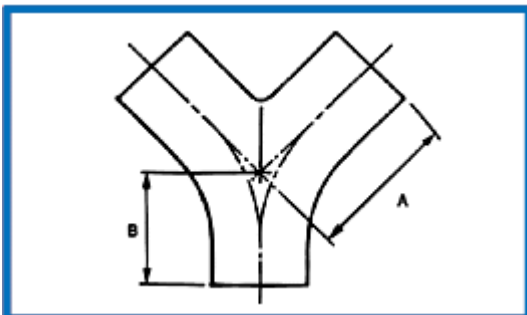
Crosses and 'Y' Pieces can be manufactured to your specifications and drawings with or without fittings.



CROSS CODE 177						
Size	1.0"	1.5"	2.0"	2.5"	3.0"	4.0"
A (mm)	44	64	89	114	134	174



SWEPT TEE CODE 170						
Size	1.0"	1.5"	2.0"	2.5"	3.0"	4.0"
A (mm)	65	85	110	135	155	195



'Y' PIECE CODE 171						
Size	1.0"	1.5"	2.0"	2.5"	3.0"	4.0"
A (mm)	44	64	89	114	134	174
B (mm)	22	31	44	58	67	85

