

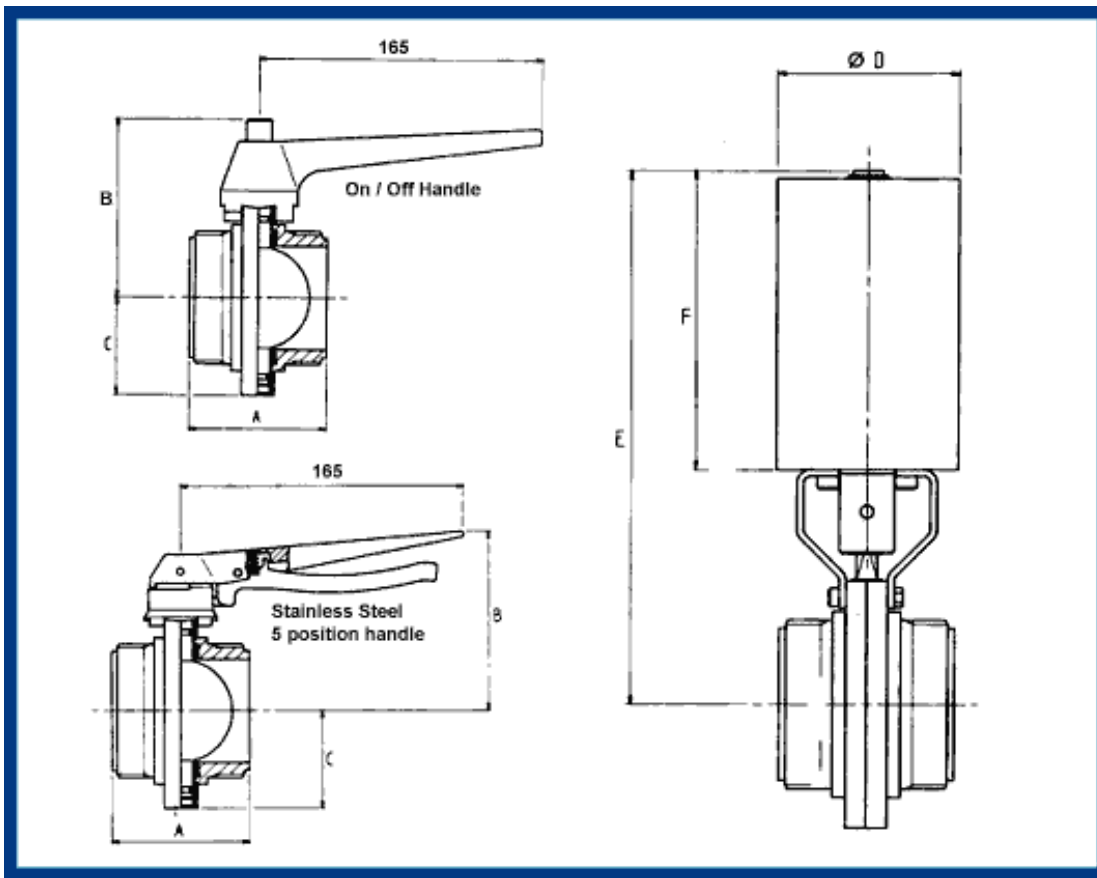


a stainless technologies company

## Diamond Butterfly Valves

The **Diamond Butterfly Valve** is a hygienic, in-line, 1/4 turn or multi-position unit for manual and actuated service.

- Fully machined from 316L forgings for a high quality, non porous construction.
- Polished, crevice free disc which is easily cleaned.
- 'O' ring spindle is environmentally sealed.
- Spindle bearings fit into seal cross holes resulting in low torque.
- Range of seal materials available including EPDM, Silicone, Viton steam resistant and Nitrile to suit your application.



Valve Dimension 'A'

FITTING TYPE		DIMENSION 'A' mm	
		1.0" - 3.0"	4.0"
RJT	MALE	80	90
	FEMALE	85	125
IDF	MALE	80	100
	FEMALE	102	160
ILC	MALE	80	100
	FEMALE	102	142
CLAMP		60	100
BUTT WELD ENDS		60	100

<b>MANUAL FLANGED</b>	260	260
<b>ACTUATED FLANGED</b>	140	140

Maximum Operating Pressure: 10 Bar. Working Temperature dependent on seal materials range -10°C up to 150°C. Valves can be supplied to operate outside these parameters - please enquire.

For other combinations, [contact DPL](#).

#### Other Dimensions

Size	1.0"	1.5"	2.0"	2.5"	3.0"	4.0"
<b>B mm</b>	90	94	101	107	113	129
<b>C mm</b>	39.5	43.5	50.5	57	63	79
<b>Dia. D mm</b>	102	102	102	102	102	102
<b>E mm</b>	251	255	262	268	275	291
<b>F mm</b>	160	160	160	160	160	160

#### Actuation and Control

Butterfly valves can be supplied fitted and tested with a comprehensive range of pneumatic and electric actuators including all ancilliary equipment such as solenoids, limit switches and positioners.

**ATEX approved version available for use in potentially explosive atmospheres.**

**Group 2, Category 2, Gas and dust compliant**




---

Dairy Pipe Line Ltd, Unit 1, Dencora Park, Shire Hill, Saffron Walden, Essex CB11 3GB.  
 Tel: +44 (0)1799 522 885 | Fax: +44 (0)1799 525 916  
 Email: [dairypipelines@dpluk.co.uk](mailto:dairypipelines@dpluk.co.uk) [www.dpluk.co.uk](http://www.dpluk.co.uk)

