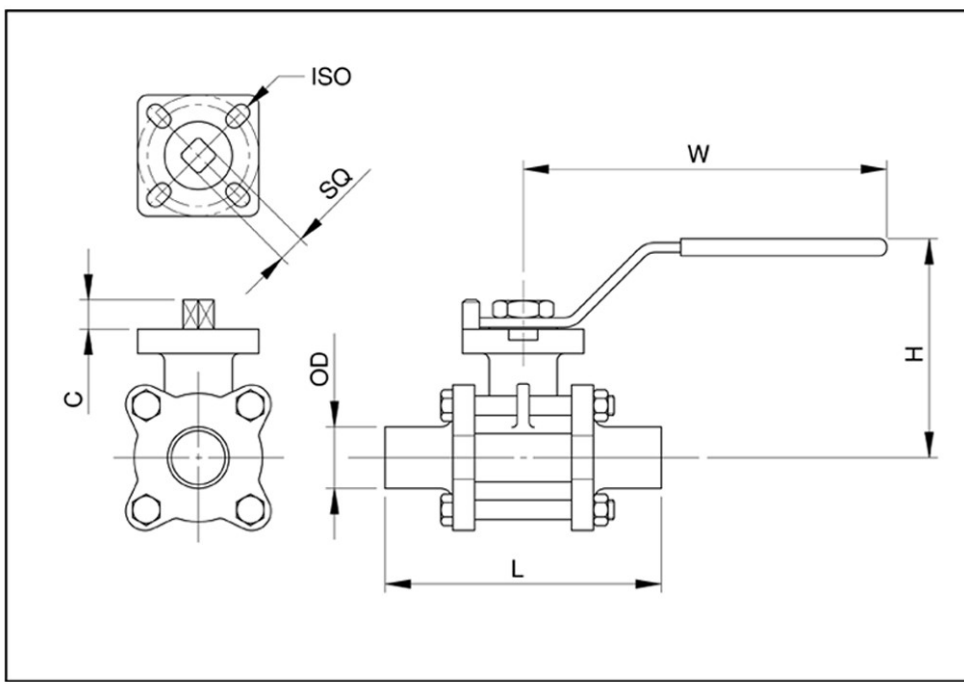




a  stainless **technologies** company

Diamond Three Piece Direct Mount Ball Valves

The **Diamond Three Piece Direct Mount Cavity Filled Ball Valve** is a stainless steel, full bore, on/off valve that can be supplied with any fitting or flange to suit your requirements.



FULL DIMENSIONS ARE AVAILABLE UPON REQUEST

- Fully machined valve components in 316 grade stainless steel offering excellent corrosion resistance
- Three piece design offers you easy in-line maintenance.
- Optional actuation package available including feedback switches and solenoid options to provide a full automation solution
- Direct Mount ISO pad allows for easy actuation without the need for brackets
- PTFE cavity filled valve ball ensure optimum level of sanitation and cleanliness
- Wide selection of end fittings available, thus ensuring maximum compatibility with your system

TECHNICAL DATA

Seat Material: PTFE

Standard Internal Finish: <1.0um

Maximum Operating Pressure: 10 Bar

Wetted Part Construction: 316 Stainless Steel

End Connection options: Butt Weld (plain), RJT, IDF, Clamp, ILC, DIN, Flange (other options available upon request)

Actuation and Control

Please enquire with our Sales Team on **01799 58 2440** for our Actuation and Control options

Dairy Pipe Line Ltd, Unit 1, Dencora Park, Shire Hill, Saffron Walden, Essex CB11 3GB.
Tel: +44 (0)1799 522 885 | Fax: +44 (0)1799 525 916
Email: dairypipelines@dpluk.co.uk **www.dpluk.co.uk**

