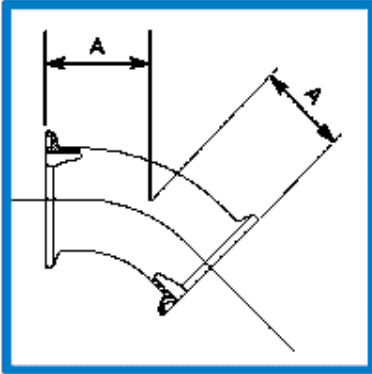


## Biobore Bends



a  stainless **technologies** company



### DT17 - 45 Degree Bend C/C (DT-4.1.1-6) ✓ ASME BPE

Size (ins)	Part Code	A (mm)
0.25	45B02CCSTDT17	25.4
0.375	45B04CCSTDT17	25.4
0.50	45B05CCSTDT17	25.4
0.75	45B07CCSTDT17	25.4
1.00	45B10CCSTDT17	28.6
1.50	45B15CCSTDT17	36.5
2.00	45B20CCSTDT17	44.5
2.50	45B25CCSTDT17	52.4
3.00	45B30CCSTDT17	60.3
4.00	45B40CCSTDT17	79.4
6.00	45B60CCSTDT17	133.4

Stainless Fittings. Tipton Road, Dudley, West Midlands DY1 4SQ

Tel: +44 (0)121 557 1188

E-mail: [stainlessfittings@sfluk.co.uk](mailto:stainlessfittings@sfluk.co.uk) [www.sfluk.co.uk](http://www.sfluk.co.uk)

