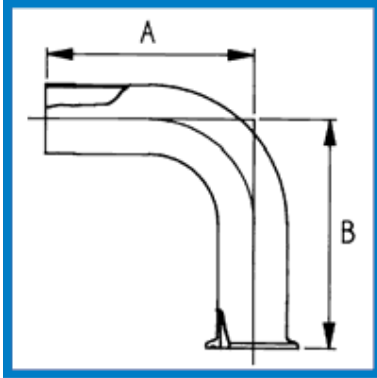


Biobore Bends



a  company



DT12 - 90 Degree bend C/W (DT-4.1.1-2) / ASME BPE

Size (ins)	Part Code	A (mm)	B (mm)
0.25	90B02CWSTDT12	66.7	41.3
0.375	90B04CWSTDT12	66.7	41.3
0.5	90B05CWSTDT12	76.2	41.3
0.75	90B07CWSTDT12	76.2	41.3
1.0	90B10CWSTDT12	76.2	50.8
1.5	90B15CWSTDT12	95.3	69.9
2.0	90B20CWSTDT12	120.7	88.9
2.5	90B25CWSTDT12	139.7	108.0
3.0	90B30CWSTDT12	158.8	127.0
4.0	90B40CWSTDT12	203.2	168.3
6.0	90B60CWSTDT12	292.1	266.7

Stainless Fittings. Tipton Road, Dudley, West Midlands DY1 4SQ

Tel: +44 (0)121 557 1188

E-mail: stainlessfittings@sfluk.co.uk www.sfluk.co.uk

