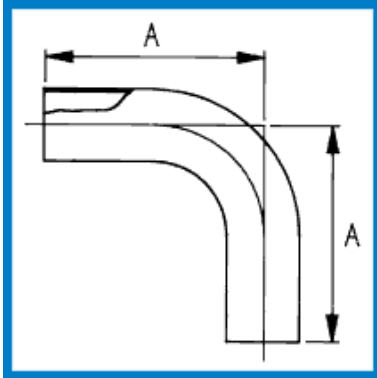


Biobore Bends



a  company



DT7 - 90 degree bend W/W (DT-4.1.1-1) ✓ ASME BPE

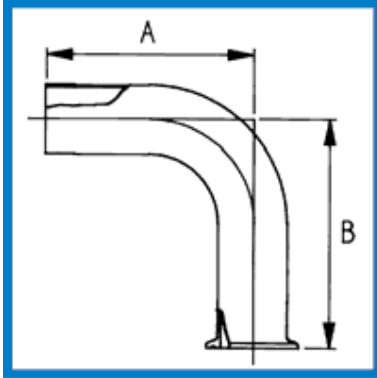
Size (ins)	Part Code	A (mm)
0.25	90B02WWSTDT7	66.7
0.375	90B04WWSTDT7	66.7
0.5	90B05WWSTDT7	76.2
0.75	90B07WWSTDT7	76.2
1.0	90B10WWSTDT7	76.2
1.5	90B15WWSTDT7	95.3
2.0	90B20WWSTDT7	120.7
2.5	90B25WWSTDT7	139.7
3.0	90B30WWSTDT7	158.8
4.0	90B40WWSTDT7	203.2
6.0	90B60WWSTDT7	292.1

**** We currently also supply a range of 88 Degree and 92 Degree bends - Please Enquire!**

Biobore Bends



a  stainless **technologies** company



DT12 - 90 Degree bend C/W (DT-4.1.1-2) ✓ ASME BPE

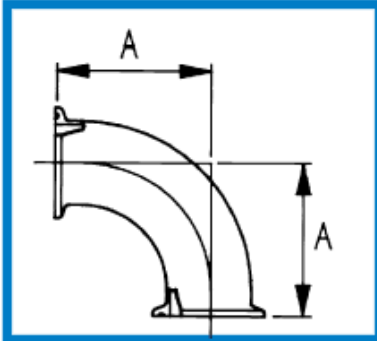
Size (ins)	Part Code	A (mm)	B (mm)
0.25	90B02CWSTDT12	66.7	41.3
0.375	90B04CWSTDT12	66.7	41.3
0.5	90B05CWSTDT12	76.2	41.3
0.75	90B07CWSTDT12	76.2	41.3
1.0	90B10CWSTDT12	76.2	50.8
1.5	90B15CWSTDT12	95.3	69.9
2.0	90B20CWSTDT12	120.7	88.9
2.5	90B25CWSTDT12	139.7	108.0
3.0	90B30CWSTDT12	158.8	127.0
4.0	90B40CWSTDT12	203.2	168.3
6.0	90B60CWSTDT12	292.1	266.7

Stainless Fittings. Tipton Road, Dudley, West Midlands DY1 4SQ
 Tel: +44 (0)121 557 1188 | Fax: +44 (0)121 557 6035
 E-mail: stainlessfittings@sfluk.co.uk www.sfluk.co.uk

Biobore Bends



a  stainless technologies company



DT16 - 90 Degree bend C/C (DT-4.1.1-3) / ASME BPE

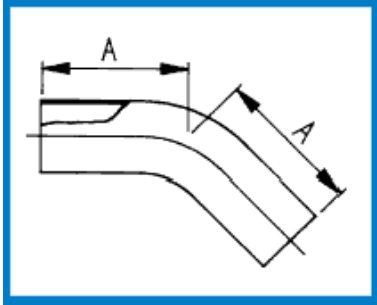
Size (ins)	Part Code	A (mm)
0.25	90B02CCSTDT12	41.3
0.375	90B04CCSTDT12	41.3
0.5	90B05CCSTDT12	41.3
0.75	90B07CCSTDT12	41.3
1.0	90B10CCSTDT12	50.8
1.5	90B15CCSTDT12	69.9
2.0	90B20CCSTDT12	88.9
2.5	90B25CCSTDT12	108.0
3.0	90B30CCSTDT12	127.0
4.0	90B40CCSTDT12	168.3
6.0	90B60CCSTDT12	266.7

Stainless Fittings. Tipton Road, Dudley, West Midlands DY1 4SQ
Tel: +44 (0)121 557 1188 | Fax: +44 (0)121 557 6035
E-mail: stainlessfittings@sfluk.co.uk www.sfluk.co.uk

Biobore Bends



a  stainless **technologies** company



DT8 - 45 Degree bend WW (DT-4.1.1-4) ✓ ASME BPE

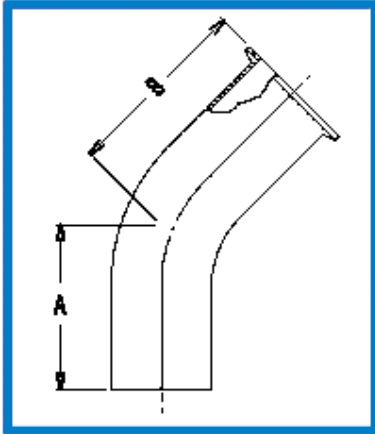
Size (ins)	Part Code	A (mm)
0.25	45B02WWSTDT8	50.8
0.375	45B04WWSTDT8	50.8
0.5	45B05WWSTDT8	57.2
0.75	45B07WWSTDT8	57.2
1.0	45B10WWSTDT8	57.2
1.5	45B15WWSTDT8	63.5
2.0	45B20WWSTDT8	76.2
2.5	45B25WWSTDT8	85.7
3.0	45B30WWSTDT8	92.1
4.0	45B40WWSTDT8	114.3
6.0	45B60WWSTDT8	158.8

Stainless Fittings. Tipton Road, Dudley, West Midlands DY1 4SQ
Tel: +44 (0)121 557 1188 | Fax: +44 (0)121 557 6035
E-mail: stainlessfittings@sfluk.co.uk www.sfluk.co.uk

Biobore Bends



a  stainless **technologies** company



DT13 - 45 Degree Bend C/W (DT-4.1.1-5) / ASME BPE

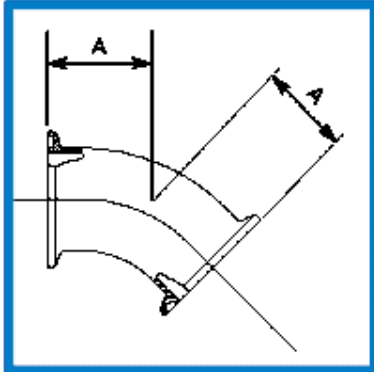
Size (ins)	Part Code	A (mm)	B (mm)
0.25	45B02CWSTDT13	50.8	25.4
0.375	45B04CWSTDT13	50.8	25.4
0.5	45B05CWSTDT13	57.2	25.4
0.75	45B07CWSTDT13	57.2	25.4
1.0	45B10CWSTDT13	57.2	28.6
1.5	45B15CWSTDT13	63.5	36.5
2.0	45B20CWSTDT13	76.2	44.5
2.5	45B25CWSTDT13	85.7	52.4
3.0	45B30CWSTDT13	92.1	60.3
4.0	45B40CWSTDT13	114.3	79.4
6.0	45B60CWSTDT13	158.8	133.4

Stainless Fittings. Tipton Road, Dudley, West Midlands DY1 4SQ
 Tel: +44 (0)121 557 1188 | Fax: +44 (0)121 557 6035
 E-mail: stainlessfittings@sfluk.co.uk www.sfluk.co.uk

Biobore Bends



a  stainless **technologies** company



DT17 - 45 Degree Bend C/C (DT-4.1.1-6) ✓ ASME BPE

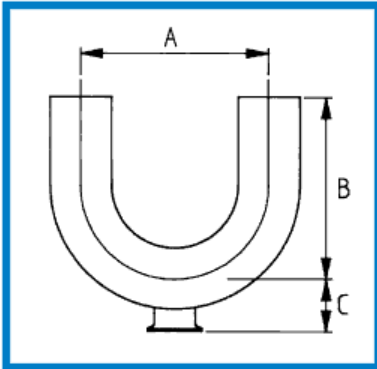
Size (ins)	Part Code	A (mm)
0.25	45B02CCSTDT17	25.4
0.375	45B04CCSTDT17	25.4
0.50	45B05CCSTDT17	25.4
0.75	45B07CCSTDT17	25.4
1.00	45B10CCSTDT17	28.6
1.50	45B15CCSTDT17	36.5
2.00	45B20CCSTDT17	44.5
2.50	45B25CCSTDT17	52.4
3.00	45B30CCSTDT17	60.3
4.00	45B40CCSTDT17	79.4
6.00	45B60CCSTDT17	133.4

Stainless Fittings. Tipton Road, Dudley, West Midlands DY1 4SQ
Tel: +44 (0)121 557 1188 | Fax: +44 (0)121 557 6035
E-mail: stainlessfittings@sfluk.co.uk www.sfluk.co.uk

Biobore Bends



a stainless technologies company



Outlet Loop W/W/C

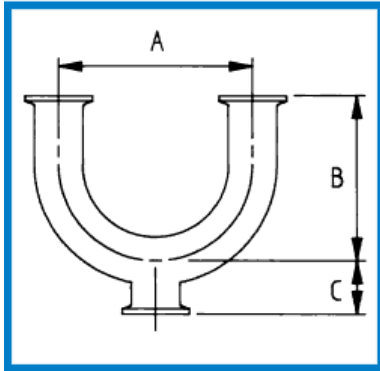
Size (ins)	Part Code	A (mm)	B (mm)	C (mm)
1.0 x 0.5	OL1005WWC	76.2	76.2	31.7
1.0 x 0.75	OL1007WWC	76.2	76.2	31.7
1.5 x 0.5	OL1505WWC	114.3	114.3	38.1
1.5 x 0.75	OL1507WWC	114.3	114.3	38.1
1.5 x 1.0	OL1510WWC	114.3	114.3	38.1
2.0 x 0.5	OL2005WWC	152.4	127.0	44.5
2.0 x 0.75	OL2007WWC	152.4	127.0	44.5
2.0 x 1.0	OL2010WWC	152.4	127.0	50.8
2.0 x 1.5	OL2015WWC	152.4	127.0	44.5
2.5 x 0.5	OL2505WWC	190.5	146.1	50.8
2.5 x 0.75	OL2507WWC	190.5	146.1	50.8
2.5 x 1.0	OL2510WWC	190.5	146.1	55.5
2.5 x 1.5	OL2515WWC	190.5	146.1	50.8
2.5 x 2.0	OL2520WWC	190.5	146.1	60.3
3.0 x 0.5	OL3005WWC	228.6	165.1	57.2
3.0 x 0.75	OL3007WWC	228.6	165.1	57.2
3.0 x 1.0	OL3010WWC	228.6	165.1	63.5
3.0 x 1.5	OL3015WWC	228.6	165.1	58.7
3.0 x 2.0	OL3020WWC	228.6	165.1	57.2
3.0 x 2.5	OL3025WWC	228.6	165.1	66.7
4.0 x 0.5	OL4005WWC	304.8	215.9	69.8
4.0 x 0.75	OL4007WWC	304.8	215.9	69.8
4.0 x 1.0	OL4010WWC	304.8	215.9	77.8
4.0 x 1.5	OL4015WWC	304.8	215.9	74.6
4.0 x 2.0	OL4020WWC	304.8	215.9	69.8
4.0 x 2.5	OL4025WWC	304.8	215.9	79.4
4.0 x 3.0	OL4030WWC	304.8	215.9	79.4

Stainless Fittings. Tipton Road, Dudley, West Midlands DY1 4SQ
Tel: +44 (0)121 557 1188 | Fax: +44 (0)121 557 6035
E-mail: stainlessfittings@sfluk.co.uk **www.sfluk.co.uk**

Biobore Bends



a  stainless technologies company



Outlet Loop C/C/C

Size (ins)	Part Code	A (mm)	B (mm)	C (mm)
1.0 x 0.5	OL1005CCC	76.2	88.9	31.7
1.0 x 0.75	OL1007CCC	76.2	88.9	31.7
1.5 x 0.5	OL1505CCC	114.3	127.0	38.1
1.5 x 0.75	OL1507CCC	114.3	127.0	38.1
1.5 x 1.0	OL1510CCC	114.3	127.0	38.1
2.0 x 0.5	OL2005CCC	152.4	139.7	44.5
2.0 x 0.75	OL2007CCC	152.4	139.7	44.5
2.0 x 1.0	OL2010CCC	152.4	139.7	50.8
2.0 x 1.5	OL2015CCC	152.4	139.7	44.5
2.5 x 0.5	OL2505CCC	190.5	158.8	50.8
2.5 x 0.75	OL2507CCC	190.5	158.8	50.8
2.5 x 1.0	OL2510CCC	190.5	158.8	55.5
2.5 x 1.5	OL2515CCC	190.5	158.8	50.8
2.5 x 2.0	OL2520CCC	190.5	158.8	60.3
3.0 x 0.5	OL3005CCC	228.6	177.8	57.2
3.0 x 0.75	OL3007CCC	228.6	177.8	57.2
3.0 x 1.0	OL3010CCC	228.6	177.8	63.5
3.0 x 1.5	OL3015CCC	228.6	177.8	58.7
3.0 x 2.0	OL3020CCC	228.6	177.8	57.2
3.0 x 2.5	OL3025CCC	228.6	177.8	66.7
4.0 x 0.5	OL4005CCC	304.8	231.8	69.8
4.0 x 0.75	OL4007CCC	304.8	231.8	69.8
4.0 x 1.0	OL4010CCC	304.8	231.8	77.8
4.0 x 1.5	OL4015CCC	304.8	231.8	74.6
4.0 x 2.0	OL4020CCC	304.8	231.8	69.8
4.0 x 2.5	OL4025CCC	304.8	231.8	79.4
4.0 x 3.0	OL4030CCC	304.8	231.8	79.4

Stainless Fittings. Tipton Road, Dudley, West Midlands DY1 4SQ
Tel: +44 (0)121 557 1188 | Fax: +44 (0)121 557 6035
E-mail: stainlessfittings@sfluk.co.uk **www.sfluk.co.uk**

