

Stainless Fittings Ltd



A  stainless **technologies** Company

Contents:

02	Introduction
03	ASME BPE Tube
04-11	ASME BPE Bends
12-28	ASME BPE Tees & Crosses
29-34	ASME BPE Reducers
35-37	ASME BPE Ferrules
38-39	ASME BPE Caps and Domed End Caps
40-41	Non ASME BPE Ferrules (K124 / K135)
42	Tank Ferrules
43-44	Outlet Loops
45	Hose Liners
46-52	Other Non- ASME BPE fittings
53-55	Clamps
56-60	Gaskets, Screen Mesh & Orifice Plates
61-62	Adapters
63	Fabrication Services

Biobore



a  stainless technologies company



Biobore & ASME BPE Introduction

SFL's Biobore & ASME BPE tube and Fittings

Biobore is the brand name of SFL's acclaimed range of T316L stainless steel tube and fittings. Our offering includes both fully accredited ASME BPE products alongside our own BPE compliant range of fittings.

More About The ASME Bio Processing Equipment Standard.

The ASME Bio Processing Equipment (ASME BPE) Standard first launched in 1997 providing designers and process engineers with a reliable and measurable way of specifying Hygienic Tubes, Valves and Fittings for use in pharmaceutical and High Purity applications. Through the American Society of Mechanical Engineers harmonization programme this very inclusive standard has achieved world wide acceptance.

Stainless Fittings Ltd has manufactured the Biobore brand of products since its inception and along with a number of other companies around the globe adopted non pharmaceutical-related codes and standards modifying them to meet the requirements of the Food and Drug Administration (FDA). The ASME BPE has enveloped these requirements thus complementing the SFL Biobore range.

The ASME BPE brings together standard stainless steel component types, length sizing, round & squareness tolerances, and additionally the manufacturing materials are standardized but there is however flexibility to use other materials with proven characteristics in the bioprocessing industry.

Standard internal surface finishes are defined by finish codes that are marked on components for ease of identification. These codes also include electropolished surfaces.

Metal joining is a large part of the ASME BPE standard and here the integrity of the fabrication process is protected by insistence on established weld procedures, welder codes, weld log recording & weld plans. The material joint requirements are specified and also the inspection criteria, which takes even small imperfections into account.

Post fabrication corrosion protection and rouge limitation methods are specified including electropolish and passivation procedures. Continuing with the product integrity theme the final product identity marking and the packaging is also stipulated.

Standard SFL Biobore products meet the requirements of the BPE specification but if you require Non standard products and components to the same exacting standard we can fabricate to your design, the product you require, using the same manufacturing techniques and methodologies.

HOVER OVER THE BUTTONS AT THE SIDE OF THIS PAGE FOR MORE INFORMATION ABOUT THESE PRODUCTS

Biobore ASME BPE High Purity Stainless Steel Tubing

Mechanically Polished or Electropolished Tube for use in pharmaceutical, semi conductor, biotechnology and other high purity processes.

Our tube is manufactured to the stringent ASME BPE and ASTM A270 S2 standards making it ideal for most high purity applications.

Mechanically Polished SF1 Finish

Guaranteed 0.8um max OD, 0.51um max ID

Our SF1 tubing is fully boroscoped and mechanically polished on both the ID and OD surfaces thus minimizing surface finish anomalies and reducing customer inspection requirements.

Electropolished SF4 Finish

Guaranteed 0.8um Max OD, 0.38um max ID after EP

Our SF4 tubing gives an ultra-smooth, corrosion resistant, chromium, enriched surface where contaminants cannot hide. This EP tube is processed and packaged in a certified ISO Class 5 clean room - a must for tubing used in high purity environments.

Our tubing is available from 1/4" up to 6" OD sizes in 6.1m lengths

We can also cut to length - just enquire with your Sales Contact

Tube Size Comparison Guide

OD (Inches)	0.236"	0.315"	0.25"	0.38"	0.5"	0.75"	1"	1.5"	2"	2.5"	3"	4"	6"
OD (MM)	6.0	8.0	6.35	9.53	12.7	19.05	25.4	38.1	50.8	63.5	76.1	101.6	152.4
ID (MM)	4.0	6.0	4.57	7.75	9.5	15.85	22.2	34.9	47.6	60.3	73.0	97.6	147.1
Wall thickness (MM)	1.0	1.0	0.9	0.9	1.6	1.6	1.6	1.6	1.6	1.6	1.6	2.0	2.7
SWG	N/A	N/A	20	20	16	16	16	16	16	16	16	14	12

Stainless Fittings. Tipton Road, Dudley, West Midlands DY1 4SQ

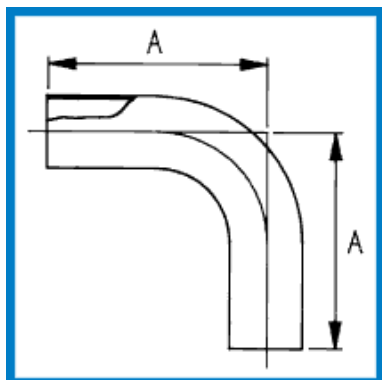
Tel: +44 (0)121 557 1188

E-mail: stainlessfittings@sfluk.co.uk www.sfluk.co.uk

Biobore Bends



a  stainless technologies company



DT7 - 90 degree bend W/W (DT-4.1.1-1) ✓ ASME BPE

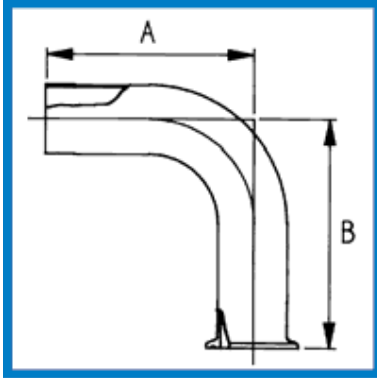
Size (ins)	Part Code	A (mm)
0.25	90B02WWSTDT7	66.7
0.375	90B04WWSTDT7	66.7
0.5	90B05WWSTDT7	76.2
0.75	90B07WWSTDT7	76.2
1.0	90B10WWSTDT7	76.2
1.5	90B15WWSTDT7	95.3
2.0	90B20WWSTDT7	120.7
2.5	90B25WWSTDT7	139.7
3.0	90B30WWSTDT7	158.8
4.0	90B40WWSTDT7	203.2
6.0	90B60WWSTDT7	292.1

**** We currently also supply a range of 88 Degree and 92 Degree bends - Please Enquire!**

Biobore Bends



a  stainless **technologies** company



DT12 - 90 Degree bend C/W (DT-4.1.1-2) / ASME BPE

Size (ins)	Part Code	A (mm)	B (mm)
0.25	90B02CWSTDT12	66.7	41.3
0.375	90B04CWSTDT12	66.7	41.3
0.5	90B05CWSTDT12	76.2	41.3
0.75	90B07CWSTDT12	76.2	41.3
1.0	90B10CWSTDT12	76.2	50.8
1.5	90B15CWSTDT12	95.3	69.9
2.0	90B20CWSTDT12	120.7	88.9
2.5	90B25CWSTDT12	139.7	108.0
3.0	90B30CWSTDT12	158.8	127.0
4.0	90B40CWSTDT12	203.2	168.3
6.0	90B60CWSTDT12	292.1	266.7

Stainless Fittings. Tipton Road, Dudley, West Midlands DY1 4SQ

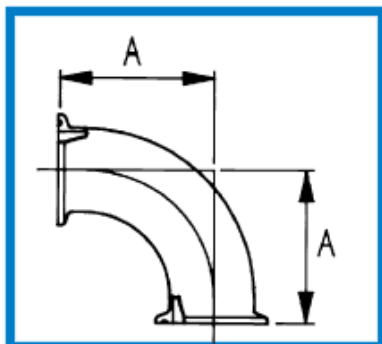
Tel: +44 (0)121 557 1188

E-mail: stainlessfittings@sfluk.co.uk www.sfluk.co.uk

Biobore Bends



a  stainless technologies company



DT16 - 90 Degree bend C/C (DT-4.1.1-3) / ASME BPE

Size (ins)	Part Code	A (mm)
0.25	90B02CCSTDT16	41.3
0.375	90B04CCSTDT16	41.3
0.5	90B05CCSTDT16	41.3
0.75	90B07CCSTDT16	41.3
1.0	90B10CCSTDT16	50.8
1.5	90B15CCSTDT16	69.9
2.0	90B20CCSTDT16	88.9
2.5	90B25CCSTDT16	108.0
3.0	90B30CCSTDT16	127.0
4.0	90B40CCSTDT16	168.3
6.0	90B60CCSTDT16	266.7

Stainless Fittings. Tipton Road, Dudley, West Midlands DY1 4SQ

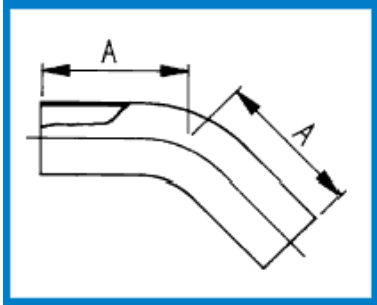
Tel: +44 (0)121 557 1188

E-mail: stainlessfittings@sfluk.co.uk www.sfluk.co.uk

Biobore Bends



a  stainless **technologies** company



DT8 - 45 Degree bend WW (DT-4.1.1-4) ✓ ASME BPE

Size (ins)	Part Code	A (mm)
0.25	45B02WWSTDT8	50.8
0.375	45B04WWSTDT8	50.8
0.5	45B05WWSTDT8	57.2
0.75	45B07WWSTDT8	57.2
1.0	45B10WWSTDT8	57.2
1.5	45B15WWSTDT8	63.5
2.0	45B20WWSTDT8	76.2
2.5	45B25WWSTDT8	85.7
3.0	45B30WWSTDT8	92.1
4.0	45B40WWSTDT8	114.3
6.0	45B60WWSTDT8	158.8

Stainless Fittings. Tipton Road, Dudley, West Midlands DY1 4SQ

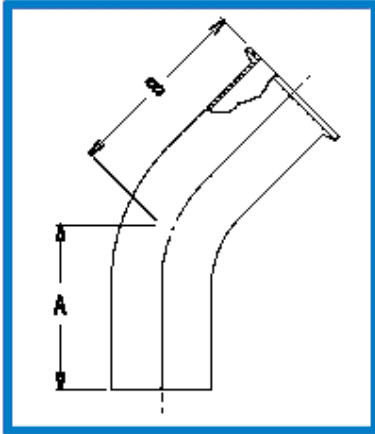
Tel: +44 (0)121 557 1188

E-mail: stainlessfittings@sfluk.co.uk www.sfluk.co.uk

Biobore Bends



a  stainless technologies company



DT13 - 45 Degree Bend C/W (DT-4.1.1-5) / ASME BPE

Size (ins)	Part Code	A (mm)	B (mm)
0.25	45B02CWSTDT13	50.8	25.4
0.375	45B04CWSTDT13	50.8	25.4
0.5	45B05CWSTDT13	57.2	25.4
0.75	45B07CWSTDT13	57.2	25.4
1.0	45B10CWSTDT13	57.2	28.6
1.5	45B15CWSTDT13	63.5	36.5
2.0	45B20CWSTDT13	76.2	44.5
2.5	45B25CWSTDT13	85.7	52.4
3.0	45B30CWSTDT13	92.1	60.3
4.0	45B40CWSTDT13	114.3	79.4
6.0	45B60CWSTDT13	158.8	133.4

Stainless Fittings. Tipton Road, Dudley, West Midlands DY1 4SQ

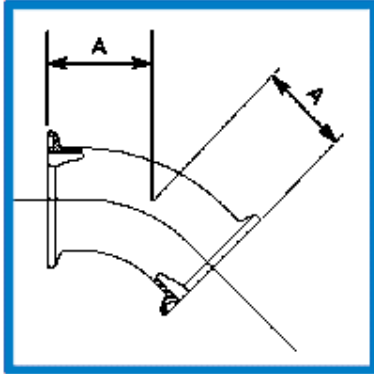
Tel: +44 (0)121 557 1188

E-mail: stainlessfittings@sfluk.co.uk www.sfluk.co.uk

Biobore Bends



a  stainless technologies company



DT17 - 45 Degree Bend C/C (DT-4.1.1-6) ASME BPE

Size (ins)	Part Code	A (mm)
0.25	45B02CCSTDT17	25.4
0.375	45B04CCSTDT17	25.4
0.50	45B05CCSTDT17	25.4
0.75	45B07CCSTDT17	25.4
1.00	45B10CCSTDT17	28.6
1.50	45B15CCSTDT17	36.5
2.00	45B20CCSTDT17	44.5
2.50	45B25CCSTDT17	52.4
3.00	45B30CCSTDT17	60.3
4.00	45B40CCSTDT17	79.4
6.00	45B60CCSTDT17	133.4

Stainless Fittings. Tipton Road, Dudley, West Midlands DY1 4SQ

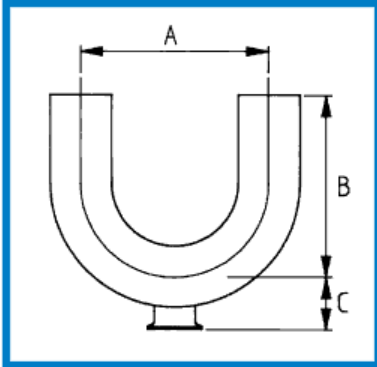
Tel: +44 (0)121 557 1188

E-mail: stainlessfittings@sfluk.co.uk www.sfluk.co.uk

Biobore Bends



a  stainless **technologies** company



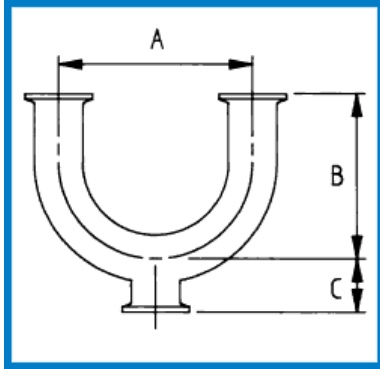
Outlet Loop W/W/C

Size (ins)	Part Code	A (mm)	B (mm)	C (mm)
1.0 x 0.5	OL1005WWC	76.2	76.2	31.7
1.0 x 0.75	OL1007WWC	76.2	76.2	31.7
1.5 x 0.5	OL1505WWC	114.3	114.3	38.1
1.5 x 0.75	OL1507WWC	114.3	114.3	38.1
1.5 x 1.0	OL1510WWC	114.3	114.3	38.1
2.0 x 0.5	OL2005WWC	152.4	127.0	44.5
2.0 x 0.75	OL2007WWC	152.4	127.0	44.5
2.0 x 1.0	OL2010WWC	152.4	127.0	50.8
2.0 x 1.5	OL2015WWC	152.4	127.0	44.5
2.5 x 0.5	OL2505WWC	190.5	146.1	50.8
2.5 x 0.75	OL2507WWC	190.5	146.1	50.8
2.5 x 1.0	OL2510WWC	190.5	146.1	55.5
2.5 x 1.5	OL2515WWC	190.5	146.1	50.8
2.5 x 2.0	OL2520WWC	190.5	146.1	60.3
3.0 x 0.5	OL3005WWC	228.6	165.1	57.2
3.0 x 0.75	OL3007WWC	228.6	165.1	57.2
3.0 x 1.0	OL3010WWC	228.6	165.1	63.5
3.0 x 1.5	OL3015WWC	228.6	165.1	58.7
3.0 x 2.0	OL3020WWC	228.6	165.1	57.2
3.0 x 2.5	OL3025WWC	228.6	165.1	66.7
4.0 x 0.5	OL4005WWC	304.8	215.9	69.8
4.0 x 0.75	OL4007WWC	304.8	215.9	69.8
4.0 x 1.0	OL4010WWC	304.8	215.9	77.8
4.0 x 1.5	OL4015WWC	304.8	215.9	74.6
4.0 x 2.0	OL4020WWC	304.8	215.9	69.8
4.0 x 2.5	OL4025WWC	304.8	215.9	79.4
4.0 x 3.0	OL4030WWC	304.8	215.9	79.4

Biobore Bends



a  stainless technologies company



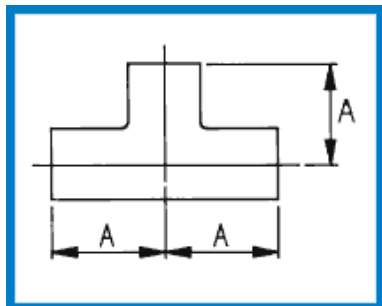
Outlet Loop C/C/C

Size (ins)	Part Code	A (mm)	B (mm)	C (mm)
1.0 x 0.5	OL1005CCC	76.2	88.9	31.7
1.0 x 0.75	OL1007CCC	76.2	88.9	31.7
1.5 x 0.5	OL1505CCC	114.3	127.0	38.1
1.5 x 0.75	OL1507CCC	114.3	127.0	38.1
1.5 x 1.0	OL1510CCC	114.3	127.0	38.1
2.0 x 0.5	OL2005CCC	152.4	139.7	44.5
2.0 x 0.75	OL2007CCC	152.4	139.7	44.5
2.0 x 1.0	OL2010CCC	152.4	139.7	50.8
2.0 x 1.5	OL2015CCC	152.4	139.7	44.5
2.5 x 0.5	OL2505CCC	190.5	158.8	50.8
2.5 x 0.75	OL2507CCC	190.5	158.8	50.8
2.5 x 1.0	OL2510CCC	190.5	158.8	55.5
2.5 x 1.5	OL2515CCC	190.5	158.8	50.8
2.5 x 2.0	OL2520CCC	190.5	158.8	60.3
3.0 x 0.5	OL3005CCC	228.6	177.8	57.2
3.0 x 0.75	OL3007CCC	228.6	177.8	57.2
3.0 x 1.0	OL3010CCC	228.6	177.8	63.5
3.0 x 1.5	OL3015CCC	228.6	177.8	58.7
3.0 x 2.0	OL3020CCC	228.6	177.8	57.2
3.0 x 2.5	OL3025CCC	228.6	177.8	66.7
4.0 x 0.5	OL4005CCC	304.8	231.8	69.8
4.0 x 0.75	OL4007CCC	304.8	231.8	69.8
4.0 x 1.0	OL4010CCC	304.8	231.8	77.8
4.0 x 1.5	OL4015CCC	304.8	231.8	74.6
4.0 x 2.0	OL4020CCC	304.8	231.8	69.8
4.0 x 2.5	OL4025CCC	304.8	231.8	79.4
4.0 x 3.0	OL4030CCC	304.8	231.8	79.4

Biobore Tees



a  stainless **technologies** company



DT9 - Equal Tee W/W/W (DT-4.1.2-1) ✓ ASME BPE

Size (ins)	Part Code	A (mm)
0.25	ET02WWWSTDT9	44.5
0.375	ET04WWWSTDT9	44.5
0.5	ET05WWWSTDT9	47.6
0.75	ET07WWWSTDT9	50.8
1.0	ET10WWWSTDT9	54.0
1.5	ET15WWWSTDT9	60.3
2.0	ET20WWWSTDT9	73.0
2.5	ET25WWWSTDT9	79.4
3.0	ET30WWWSTDT9	85.7
4.0	ET40WWWSTDT9	104.8
6.0	ET60WWWSTDT9	142.9

Stainless Fittings. Tipton Road, Dudley, West Midlands DY1 4SQ

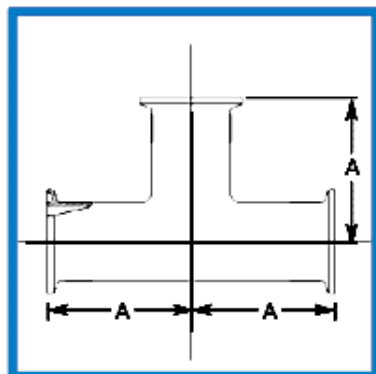
Tel: +44 (0)121 557 1188

E-mail: stainlessfittings@sfluk.co.uk www.sfluk.co.uk

Biobore Tees



a  stainless technologies company



DT18 - Equal Tee C/C/C (DT-4.1.2-4)✓ ASME BPE

Size (ins)	Part Code	A (mm)
0.25	ET02CCCSTDT18	57.2
0.375	ET04CCCSTDT18	57.2
0.5	ET05CCCSTDT18	57.2
0.75	ET07CCCSTDT18	60.3
1.0	ET10CCCSTDT18	66.7
1.5	ET15CCCSTDT18	73.0
2.0	ET20CCCSTDT18	85.7
2.5	ET25CCCSTDT18	92.1
3.0	ET30CCCSTDT18	98.4
4.0	ET40CCCSTDT18	120.7
6.0	ET60CCCSTDT18	181.0

Stainless Fittings. Tipton Road, Dudley, West Midlands DY1 4SQ

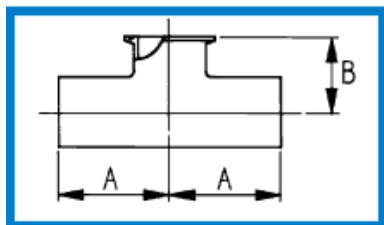
Tel: +44 (0)121 557 1188

E-mail: stainlessfittings@sfluk.co.uk www.sfluk.co.uk

Biobore Tees



a  stainless technologies company



DT15 - Eq Short Outlet Tee W/W/C (DT-4.1.2-2) ✓ ASME BPE

Size (ins)	Part Code	A (mm)	B (mm)
0.25	ES0T02WWCSTDT15	44.5	25.4
0.375	ES0T04WWCSTDT15	44.5	25.4
0.5	ES0T05WWCSTDT15	47.6	25.4
0.75	ES0T07WWCSTDT15	50.8	28.6
1.0	ES0T10WWCSTDT15	54.0	28.6
1.5	ES0T15WWCSTDT15	60.3	34.9
2.0	ES0T20WWCSTDT15	73.0	41.3
2.5	ES0T25WWCSTDT15	79.4	47.6
3.0	ES0T30WWCSTDT15	85.7	54.0
4.0	ES0T40WWCSTDT15	104.8	69.9
6.0	ES0T60WWCSTDT15	142.9	117.5

Stainless Fittings. Tipton Road, Dudley, West Midlands DY1 4SQ

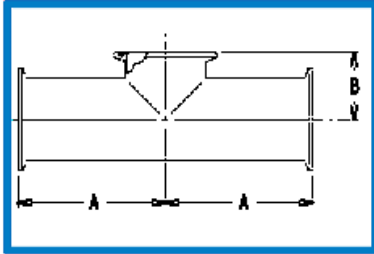
Tel: +44 (0)121 557 1188

E-mail: stainlessfittings@sfluk.co.uk www.sfluk.co.uk

Biobore Tees



a  stainless technologies company



DT27 - Eq Short Outlet Tee C/C/C (DT-4.1.2-5) ✓ ASME BPE

Size (ins)	Part Code	A (mm)	B (mm)
0.5	ES0T05CCCSTDT27	57.2	25.4
0.75	ES0T07CCCSTDT27	60.3	28.6
1.0	ES0T10CCCSTDT27	66.7	28.6
1.5	ES0T15CCCSTDT27	73.0	34.9
2.0	ES0T20CCCSTDT27	85.7	41.3
2.5	ES0T25CCCSTDT27	92.1	47.6
3.0	ES0T30CCCSTDT27	98.4	54.0
4.0	ES0T40CCCSTDT27	120.7	69.9
6.0	ES0T60CCCSTDT27	181.0	117.5

Stainless Fittings. Tipton Road, Dudley, West Midlands DY1 4SQ

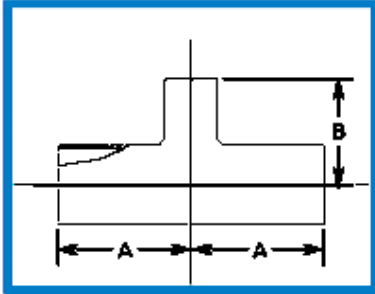
Tel: +44 (0)121 557 1188

E-mail: stainlessfittings@sfluk.co.uk www.sfluk.co.uk

Biobore Tees



a  stainless technologies company



DT10 - Reducing Tee W/W/W (DT-4.1.2-6) ✓ ASME BPE

Size (ins)	Part Code	A (mm)	B (mm)
0.375 x 0.25	RT0402WWWSTDT10	44.5	44.5
0.50 x 0.25	RT0502WWWTD10	47.6	47.6
0.50 x 0.375	RT0504WWWTD10	47.6	47.6
0.75 x 0.25	RT0702WWWTD10	50.8	50.8
0.75 x 0.375	RT0704WWWTD10	50.8	50.8
0.75 x 0.50	RT0705WWWTD10	50.8	50.8
1.0 x 0.25	RT1002WWWTD10	54.0	54.0
1.0 x 0.375	RT1004WWWTD10	54.0	54.0
1.0 x 0.5	RT1005WWWTD10	54.0	54.0
1.0 x 0.75	RT1007WWWTD10	54.0	54.0
1.5 x 0.5	RT1505WWWTD10	60.3	60.3
1.5 x 0.75	RT1507WWWTD10	60.3	60.3
1.5 x 1.0	RT1510WWWTD10	60.3	60.3
2.0 x 0.5	RT2005WWWTD10	73.0	66.7
2.0 x 0.75	RT2007WWWTD10	73.0	66.7
2.0 x 1.0	RT2010WWWTD10	73.0	66.7
2.0 x 1.5	RT2015WWWTD10	73.0	66.7
2.5 x 0.5	RT2505WWWTD10	79.4	73.0
2.5 x 0.75	RT2507WWWTD10	79.4	73.0
2.5 x 1.0	RT2510WWWTD10	79.4	73.0
2.5 x 1.5	RT2515WWWTD10	79.4	73.0
2.5 x 2.0	RT2520WWWTD10	79.4	73.0
3.0 x 0.5	RT3005WWWTD10	85.7	79.4
3.0 x 0.75	RT3007WWWTD10	85.7	79.4
3.0 x 1.0	RT3010WWWTD10	85.7	79.4
3.0 x 1.5	RT3015WWWTD10	85.7	79.4
3.0 x 2.0	RT3020WWWTD10	85.7	79.4
3.0 x 2.5	RT3025WWWTD10	85.7	79.4
4.0 x 0.5	RT4005WWWTD10	104.8	92.1
4.0 x 0.75	RT4007WWWTD10	104.8	92.1
4.0 x 1.0	RT4010WWWTD10	104.8	92.1

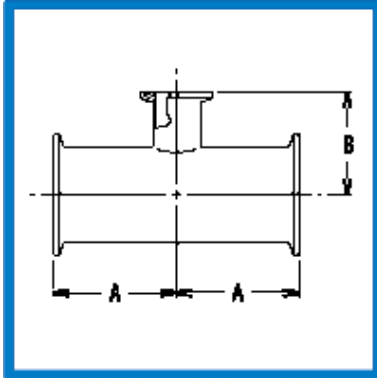
4.0 x 1.5	RT4015WWWTDT10	104.8	92.1
4.0 x 2.0	RT4020WWWTDT10	104.8	98.4
4.0 x 2.5	RT4025WWWTDT10	104.8	98.4
4.0 x 3.0	RT4030WWWTDT10	104.8	98.4
6.0 x 3.0	RT6030WWWTDT10	142.9	123.8
6.0 x 4.0	RT6040WWWTDT10	142.9	130.2

Stainless Fittings. Tipton Road, Dudley, West Midlands DY1 4SQ
Tel: +44 (0)121 557 1188
E-mail: stainlessfittings@sfluk.co.uk **www.sfluk.co.uk**

Biobore Tees



a  stainless technologies company



DT19 - Reducing Tee C/C/C (DT-4.1.2-8) ✓ ASME BPE

Size (ins)	Part Code	A (mm)	B (mm)
0.375 x 0.25	RT0402CCCSTDT19	57.2	57.2
0.50 x 0.25	RT0502CCCSTDT19	60.3	60.3
0.50 x 0.375	RT0504CCCSTDT19	60.3	60.3
0.75 x 0.25	RT0702CCCSTDT19	63.5	63.5
0.75 x 0.375	RT0704CCCSTDT19	63.5	63.5
0.75 x 0.50	RT0705CCCSTDT19	63.5	63.5
1.0 x 0.25	RT1002CCCSTDT19	66.7	66.7
1.0 x 0.375	RT1004CCCSTDT19	66.7	66.7
1.0 x 0.5	RT1005CCCSTDT19	66.7	66.7
1.0 x 0.75	RT1007CCCSTDT19	66.7	66.7
1.5 x 0.5	RT1505CCCSTDT19	73.0	73.0
1.5 x 0.75	RT1507CCCSTDT19	73.0	73.0
1.5 x 1.0	RT1510CCCSTDT19	73.0	73.0
2.0 x 0.5	RT2005CCCSTDT19	85.7	79.4
2.0 x 0.75	RT2007CCCSTDT19	85.7	79.4
2.0 x 1.0	RT2010CCCSTDT19	85.7	79.4
2.0 x 1.5	RT2015CCCSTDT19	85.7	79.4
2.5 x 0.5	RT2505CCCSTDT19	92.1	85.7
2.5 x 0.75	RT2507CCCSTDT19	92.1	85.7
2.5 x 1.0	RT2510CCCSTDT19	92.1	85.7
2.5 x 1.5	RT2515CCCSTDT19	92.1	85.7
2.5 x 2.0	RT2520CCCSTDT19	92.1	85.7
3.0 x 0.5	RT3005CCCSTDT19	98.4	92.1
3.0 x 0.75	RT3007CCCSTDT19	98.4	92.1
3.0 x 1.0	RT3010CCCSTDT19	98.4	92.1
3.0 x 1.5	RT3015CCCSTDT19	98.4	92.1
3.0 x 2.0	RT3020CCCSTDT19	98.4	92.1
3.0 x 2.5	RT3025CCCSTDT19	98.4	92.1
4.0 x 0.5	RT4005CCCSTDT19	120.7	104.8

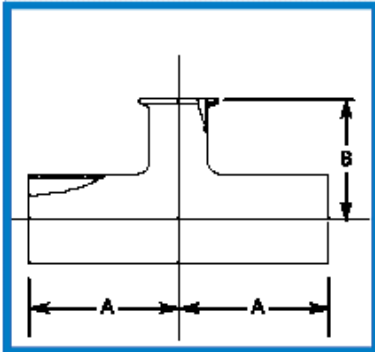
4.0 x 0.75	RT4007CCCSTDT19	120.7	104.8
4.0 x 1.0	RT4010CCCSTDT19	120.7	104.8
4.0 x 1.5	RT4015CCCSTDT19	120.7	104.8
4.0 x 2.0	RT4020CCCSTDT19	120.7	111.1
4.0 x 2.5	RT4025CCCSTDT19	120.7	111.1
4.0 x 3.0	RT4030CCCSTDT19	120.7	111.1
6.0 x 3.0	RT6030CCCSTDT19	181.0	136.5
6.0 x 4.0	RT6040CCCSTDT19	181.0	146.1

Stainless Fittings. Tipton Road, Dudley, West Midlands DY1 4SQ
Tel: +44 (0)121 557 1188
E-mail: stainlessfittings@sfluk.co.uk **www.sfluk.co.uk**

Biobore Tees



a  stainless technologies company



DT14 - Red Short Outlet Tee W/W/C (DT-4.1.2-7) ✓ ASME BPE

Size (ins)	Part Code	A (mm)	B (mm)
0.375 x 0.25	RSOT0402WWCSTDT14	44.5	25.4
0.50 x 0.25	RSOT0502WWCSTDT14	47.6	25.4
0.50 x 0.375	RSOT0504WWCSTDT14	47.6	25.4
0.75 x 0.25	RSOT0702WWCSTDT14	50.8	25.4
0.75 x 0.375	RSOT0704WWCSTDT14	50.8	25.4
0.75 x 0.50	RSOT0705WWCSTDT14	50.8	25.4
1.0 x 0.25	RSOT1002WWCSTDT14	54.0	28.6
1.0 x 0.375	RSOT1004WWCSTDT14	54.0	28.6
1.0 x 0.5	RSOT1005WWCSTDT14	54.0	28.6
1.0 x 0.75	RSOT1007WWCSTDT14	54.0	28.6
1.5 x 0.5	RSOT1505WWCSTDT14	60.3	34.9
1.5 x 0.75	RSOT1507WWCSTDT14	60.3	34.9
1.5 x 1.0	RSOT1510WWCSTDT14	60.3	34.9
2.0 x 0.5	RSOT2005WWCSTDT14	73.0	41.3
2.0 x 0.75	RSOT2007WWCSTDT14	73.0	41.3
2.0 x 1.0	RSOT2010WWCSTDT14	73.0	41.3
2.0 x 1.5	RSOT2015WWCSTDT14	73.0	41.3
2.5 x 0.5	RSOT2505WWCSTDT14	79.4	47.6
2.5 x 0.75	RSOT2507WWCSTDT14	79.4	47.6
2.5 x 1.0	RSOT2510WWCSTDT14	79.4	47.6
2.5 x 1.5	RSOT2515WWCSTDT14	79.4	47.6
2.5 x 2.0	RSOT2520WWCSTDT14	79.4	47.6
3.0 x 0.5	RSOT3005WWCSTDT14	85.7	54.0
3.0 x 0.75	RSOT3007WWCSTDT14	85.7	54.0
3.0 x 1.0	RSOT3010WWCSTDT14	85.7	54.0
3.0 x 1.5	RSOT3015WWCSTDT14	85.7	54.0
3.0 x 2.0	RSOT3020WWCSTDT14	85.7	54.0
3.0 x 2.5	RSOT3025WWCSTDT14	85.7	54.0
4.0 x 0.5	RSOT4005WWCSTDT14	104.8	66.7
4.0 x 0.75	RSOT4007WWCSTDT14	104.8	66.7

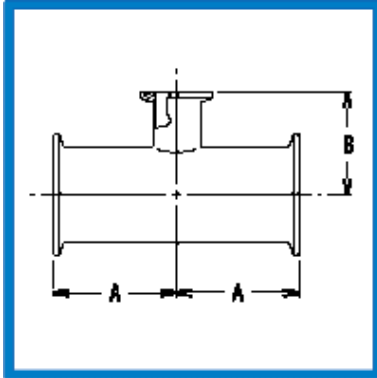
4.0 x 1.0	RSOT4010WWCSTD14	104.8	66.7
4.0 x 1.5	RSOT4015WWCSTD14	104.8	66.7
4.0 x 2.0	RSOT4020WWCSTD14	104.8	66.7
4.0 x 2.5	RSOT4025WWCSTD14	104.8	66.7
4.0 x 3.0	RSOT4030WWCSTD14	104.8	66.7
6.0 x 0.5	RSOT6005WWCSTD14	142.9	92.1
6.0 x 0.75	RSOT6007WWCSTD14	142.9	92.1
6.0 x 1.0	RSOT6010WWCSTD14	142.9	92.1
6.0 x 1.5	RSOT6015WWCSTD14	142.9	92.1
6.0 x 2.0	RSOT6020WWCSTD14	142.9	92.1
6.0 x 2.5	RSOT6025WWCSTD14	142.9	92.1
6.0 x 3.0	RSOT6030WWCSTD14	142.9	92.1
6.0 x 4.0	RSOT6040WWCSTD14	142.9	95.3

Stainless Fittings. Tipton Road, Dudley, West Midlands DY1 4SQ
Tel: +44 (0)121 557 1188
E-mail: stainlessfittings@sfluk.co.uk **www.sfluk.co.uk**

Biobore Tees



a  stainless technologies company



DT20 - Red Short Outlet Tee C/C/C (DT-4.1.2-9) ✓ ASME BPE

Size (ins)	Part Code	A (mm)	B (mm)
0.375 x 0.25	RSOT0402CCCSTDT20	57.2	25.4
0.50 x 0.25	RSOT0502CCCSTDT20	60.3	25.4
0.50 x 0.375	RSOT0504CCCSTDT20	60.3	25.4
0.75 x 0.25	RSOT0702CCCSTDT20	63.5	25.4
0.75 x 0.375	RSOT0704CCCSTDT20	63.5	25.4
0.75 x 0.50	RSOT0705CCCSTDT20	63.5	25.4
1.0 x 0.25	RSOT1002CCCSTDT20	66.7	28.6
1.0 x 0.375	RSOT1004CCCSTDT20	66.7	28.6
1.0 x 0.5	RSOT1005CCCSTDT20	66.7	28.6
1.0 x 0.75	RSOT1007CCCSTDT20	66.7	28.6
1.5 x 0.5	RSOT1505CCCSTDT20	73.0	34.9
1.5 x 0.75	RSOT1507CCCSTDT20	73.0	34.9
1.5 x 1.0	RSOT1510CCCSTDT20	73.0	34.9
2.0 x 0.5	RSOT2005CCCSTDT20	85.7	41.3
2.0 x 0.75	RSOT2007CCCSTDT20	85.7	41.3
2.0 x 1.0	RSOT2010CCCSTDT20	85.7	41.3
2.0 x 1.5	RSOT2015CCCSTDT20	85.7	41.3
2.5 x 0.5	RSOT2505CCCSTDT20	92.1	47.6
2.5 x 0.75	RSOT2507CCCSTDT20	92.1	47.6
2.5 x 1.0	RSOT2510CCCSTDT20	92.1	47.6
2.5 x 1.5	RSOT2515CCCSTDT20	92.1	47.6
2.5 x 2.0	RSOT2520CCCSTDT20	92.1	47.6
3.0 x 0.5	RSOT3005CCCSTDT20	98.4	54.0
3.0 x 0.75	RSOT3007CCCSTDT20	98.4	54.0
3.0 x 1.0	RSOT3010CCCSTDT20	98.4	54.0
3.0 x 1.5	RSOT3015CCCSTDT20	98.4	54.0
3.0 x 2.0	RSOT3020CCCSTDT20	98.4	54.0
3.0 x 2.5	RSOT3025CCCSTDT20	98.4	54.0
4.0 x 0.5	RSOT4005CCCSTDT20	120.7	66.7

4.0 x 0.75	RSOT4007CCCSTDT20	120.7	66.7
4.0 x 1.0	RSOT4010CCCSTDT20	120.7	66.7
4.0 x 1.5	RSOT4015CCCSTDT20	120.7	66.7
4.0 x 2.0	RSOT4020CCCSTDT20	120.7	66.7
4.0 x 2.5	RSOT4025CCCSTDT20	120.7	66.7
4.0 x 3.0	RSOT4030CCCSTDT20	120.7	66.7
6.0 x 4.0	RSOT6040CCCSTDT20	181.0	95.3

Stainless Fittings. Tipton Road, Dudley, West Midlands DY1 4SQ

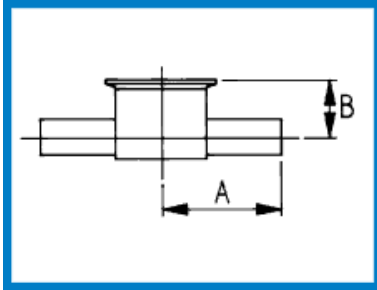
Tel: +44 (0)121 557 1188

E-mail: stainles fittings@sfluk.co.uk **www.sfluk.co.uk**

Biobore Tees



a  stainless technologies company



DT28 - Instrument Tee W/W/C (DT-4.1.2-10) ✓ ASME BPE

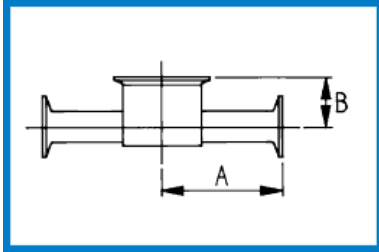
Size (ins)	Part Code	A (mm)	B (mm)
1.0 x 0.5 **	IT1005WWCSTDT28 **	63.5	22.2
1.0 x 0.75 **	IT1007WWCSTDT28 **	63.5	25.4
1.5 x 0.5	IT1505WWCSTDT28	63.5	22.2
1.5 x 0.75	IT1507WWCSTDT28	63.5	25.4
1.5 x 1.0	IT1510WWCSTDT28	63.5	28.6
2.0 x 0.5	IT2005WWCSTDT28	69.8	25.4
2.0 x 0.75	IT2007WWCSTDT28	69.8	28.6
2.0 x 1.0	IT2010WWCSTDT28	69.8	31.8
2.0 x 1.5	IT2015WWCSTDT28	69.8	38.1
2.5 x 0.5 **	IT2505WWCSTDT28 **	85.0	35.0
2.5 x 0.75 **	IT2507WWCSTDT28 **	85.0	38.1
2.5 x 1.0 **	IT2510WWCSTDT28 **	85.0	41.3
2.5 x 1.5 **	IT2515WWCSTDT28 **	85.0	44.5
2.5 x 2.0 **	IT2520WWCSTDT28 **	85.0	48.0
3.0 x 0.5 **	IT3005WWCSTDT28 **	90.0	38.1
3.0 x 0.75 **	IT3007WWCSTDT28 **	90.0	41.3
3.0 x 1.0 **	IT3010WWCSTDT28 **	90.0	44.5
3.0 x 1.5 **	IT3015WWCSTDT28 **	90.0	48.0
3.0 x 2.0 **	IT3020WWCSTDT28 **	90.0	50.8
3.0 x 2.5 **	IT3025WWCSTDT28 **	90.0	54.0
4.0 x 0.5 **	IT4005WWCSTDT28 **	110.0	79.4
4.0 x 0.75 **	IT4007WWCSTDT28 **	110.0	82.6
4.0 x 1.0 **	IT4010WWCSTDT28 **	110.0	85.7
4.0 x 1.5 **	IT4015WWCSTDT28 **	110.0	88.9
4.0 x 2.0 **	IT4020WWCSTDT28 **	110.0	95.2
4.0 x 2.5 **	IT4025WWCSTDT28 **	110.0	98.4
4.0 x 3.0 **	IT4030WWCSTDT28 **	110.0	101.6

** Size not covered under ASME BPE

Biobore Tees



a  stainless technologies company



DT29 - Instrument Tee C/C/C (DT-4.1.2-11) ✓ ASME BPE

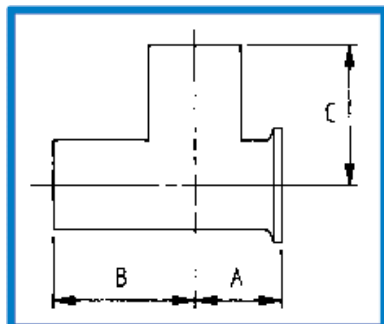
Size (ins)	Part Code	A (mm)	B (mm)
1.0 x 0.5 **	IT1005CCCSTDT29 **	77.0	22.2
1.0 x 0.75 **	IT1007CCCSTDT29 **	77.0	25.4
1.5 x 0.5	IT1505CCCSTDT29	76.2	22.2
1.5 x 0.75	IT1507CCCSTDT29	76.2	25.4
1.5 x 1.0	IT1510CCCSTDT29	76.2	28.6
2.0 x 0.5	IT2005CCCSTDT29	82.6	25.4
2.0 x 0.75	IT2007CCCSTDT29	82.6	28.6
2.0 x 1.0	IT2010CCCSTDT29	82.6	31.8
2.0 x 1.5	IT2015CCCSTDT29	82.6	38.1
2.5 x 0.5 **	IT2505CCCSTDT29 **	97.0	35.0
2.5 x 0.75 **	IT2507CCCSTDT29 **	97.0	38.1
2.5 x 1.0 **	IT2510CCCSTDT29 **	97.0	41.3
2.5 x 1.5 **	IT2515CCCSTDT29 **	97.0	44.5
2.5 x 2.0 **	IT2520CCCSTDT29 **	97.0	48.0
3.0 x 0.5 **	IT3005CCCSTDT29 **	102.0	38.1
3.0 x 0.75 **	IT3007CCCSTDT29 **	102.0	41.3
3.0 x 1.0 **	IT3010CCCSTDT29 **	102.0	44.5
3.0 x 1.5 **	IT3015CCCSTDT29 **	102.0	48.0
3.0 x 2.0 **	IT3020CCCSTDT29 **	102.0	50.8
3.0 x 2.5 **	IT3025CCCSTDT29 **	102.0	54.0
4.0 x 0.5 **	IT4005CCCSTDT29 **	122.0	79.4
4.0 x 0.75 **	IT4007CCCSTDT29 **	122.0	82.6
4.0 x 1.0 **	IT4010CCCSTDT29 **	122.0	85.7
4.0 x 1.5 **	IT4015CCCSTDT29 **	122.0	88.9
4.0 x 2.0 **	IT4020CCCSTDT29 **	122.0	95.2
4.0 x 2.5 **	IT4025CCCSTDT29 **	122.0	98.4
4.0 x 3.0 **	IT4030CCCSTDT29 **	122.0	101.6

**Size not covered under ASME BPE

Biobore Tees



a  stainless **technologies** company



DT25 - Short Out Run Tee W/W/C (DT-4.1.2-3) ✓ ASME BPE

Size (ins)

	Part Code	A (mm)	B (mm)	C (mm)
0.25	SORT02WWCSTDT25	22.4	44.5	44.5
0.375	SORT04WWCSTDT25	22.4	44.5	44.5
0.5	SORT05WWCSTDT25	22.4	47.6	47.6
0.75	SORT07WWCSTDT25	25.4	50.8	50.8
1.0	SORT10WWCSTDT25	28.6	54.0	54.0
1.5	SORT15WWCSTDT25	34.9	60.3	60.3
2.0	SORT20WWCSTDT25	41.3	73.0	73.0
2.5	SORT25WWCSTDT25	47.6	79.4	79.4
3.0	SORT30WWCSTDT25	54.0	85.7	85.7
4.0	SORT40WWCSTDT25	69.9	104.8	104.8
6.0	SORT60WWCSTDT25	117.5	142.9	142.9

Stainless Fittings. Tipton Road, Dudley, West Midlands DY1 4SQ

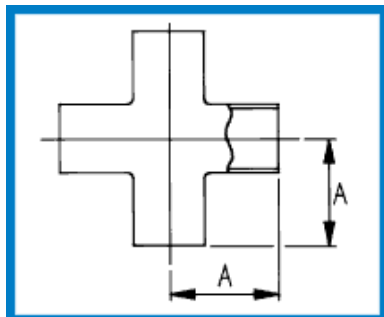
Tel: +44 (0)121 557 1188

E-mail: stainlessfittings@sfluk.co.uk www.sfluk.co.uk

Biobore Tees



a  stainless **technologies** company



DT9 - Equal Cross W/W/W/W (DT-4.1.2-1) ✓ ASME BPE

Size (ins)	Part Code	A (mm)
0.25	EC02WWWW	44.5
0.375	EC04WWWW	44.5
0.5	EC05WWWW	47.6
0.75	EC07WWWW	50.8
1.0	EC10WWWW	54.0
1.5	EC15WWWW	60.3
2.0	EC20WWWW	73.0
2.5	EC25WWWW	79.4
3.0	EC30WWWW	85.7
4.0	EC40WWWW	104.8
6.0	EC60WWWW	142.9

Stainless Fittings. Tipton Road, Dudley, West Midlands DY1 4SQ

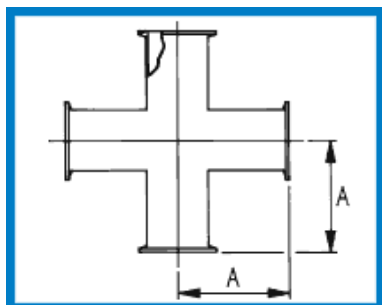
Tel: +44 (0)121 557 1188

E-mail: stainlessfittings@sfluk.co.uk www.sfluk.co.uk

Biobore Tees



a  stainless **technologies** company



DT18 - Equal Cross C/C/C/C (DT-4.1.2-4) ✓ ASME BPE

Size (ins)	Part Code	A (mm)
0.25	EC02CCCC	57.2
0.375	EC04CCCC	57.2
0.5	EC05CCCC	57.2
0.75	EC07CCCC	60.3
1.0	EC10CCCC	66.7
1.5	EC15CCCC	73.0
2.0	EC20CCCC	85.7
2.5	EC25CCCC	92.1
3.0	EC30CCCC	98.4
4.0	EC40CCCC	120.7
6.0	EC60CCCC	181.0

Stainless Fittings. Tipton Road, Dudley, West Midlands DY1 4SQ

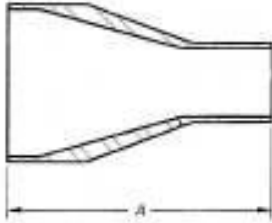
Tel: +44 (0)121 557 1188

E-mail: stainlessfittings@sfluk.co.uk www.sfluk.co.uk

Biobore Reducers



a  stainless technologies company



DT4.1.3-1 - Concentric Reducers W/W ✓ ASME BPE

Size	Part Code	Overall Length (mm)
0.75" x 0.50"	CR0705WWSTDT4.1.3-1	53.98mm
1.00" x 0.50"	CR1005WWSTDT4.1.3-1	63.50mm
1.00" x 0.75"	CR1007WWSTDT4.1.3-1	53.98mm
1.50" x 0.75"	CR1507WWSTDT4.1.3-1	76.20mm
1.50" x 1.00"	CR1510WWSTDT4.1.3-1	63.50mm
2.00" x 1.00"	CR2010WWSTDT4.1.3-1	85.73mm
2.00" x 1.50"	CR2015WWSTDT4.1.3-1	63.50mm
2.50" x 1.50"	CR2515WWSTDT4.1.3-1	85.73mm
2.50" x 2.00"	CR2520WWSTDT4.1.3-1	63.50mm
3.00" x 1.50"	CR3015WWSTDT4.1.3-1	107.95mm
3.00" x 2.00"	CR3020WWSTDT4.1.3-1	85.73mm
3.00" x 2.50"	CR3025WWSTDT4.1.3-1	66.68mm
4.00" x 2.00"	CR4020WWSTDT4.1.3-1	130.18mm
4.00" x 2.50"	CR4025WWSTDT4.1.3-1	107.95mm
4.00" x 3.00"	CR4030WWSTDT4.1.3-1	98.43mm

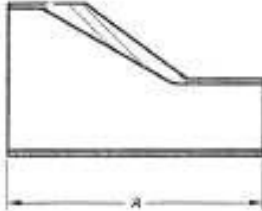
**Please note that other sizes are available upon request - please enquire with your Sales Contact for more information
**

Stainless Fittings. Tipton Road, Dudley, West Midlands DY1 4SQ
Tel: +44 (0)121 557 1188
E-mail: stainlessfittings@sfluk.co.uk www.sfluk.co.uk

Biobore Reducers



a  stainless **technologies** company



DT4.1.3-1 - Eccentric Reducers W/W ✓ ASME BPE

Size	Part Code	Overall Length (mm)
0.75" x 0.50"	ER0705WWSTDT4.1.3-1	53.98mm
1.00" x 0.50"	ER1005WWSTDT4.1.3-1	63.50mm
1.00" x 0.75"	ER1007WWSTDT4.1.3-1	53.98mm
1.50" x 0.75"	ER1507WWSTDT4.1.3-1	76.20mm
1.50" x 1.00"	ER1510WWSTDT4.1.3-1	63.50mm
2.00" x 1.00"	ER2010WWSTDT4.1.3-1	85.73mm
2.00" x 1.50"	ER2015WWSTDT4.1.3-1	63.50mm
2.50" x 1.50"	ER2515WWSTDT4.1.3-1	85.73mm
2.50" x 2.00"	ER2520WWSTDT4.1.3-1	63.50mm
3.00" x 1.50"	ER3015WWSTDT4.1.3-1	107.95mm
3.00" x 2.00"	ER3020WWSTDT4.1.3-1	85.73mm
3.00" x 2.50"	ER3025WWSTDT4.1.3-1	66.68mm
4.00" x 2.00"	ER4020WWSTDT4.1.3-1	130.18mm
4.00" x 2.50"	ER4025WWSTDT4.1.3-1	107.95mm
4.00" x 3.00"	ER4030WWSTDT4.1.3-1	98.43mm

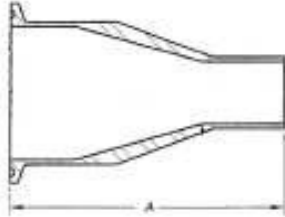
** Please note that other sizes are available upon request - please enquire with your Sales Contact for more information
**

Stainless Fittings. Tipton Road, Dudley, West Midlands DY1 4SQ
Tel: +44 (0)121 557 1188
E-mail: stainlessfittings@sfluk.co.uk www.sfluk.co.uk

Biobore Reducers



a  stainless technologies company



DT4.1.3-2 - Concentric Reducers C/W ✓ ASME BPE

Size	Part Code	Overall Length (mm)
0.75" x 0.50"	CR0705CWSTDT4.1.3-2	66.72mm
1.00" x 0.50"	CR1005CWSTDT4.1.3-2	76.20mm
1.00" x 0.75"	CR1007CWSTDT4.1.3-2	66.72mm
1.50" x 0.75"	CR1507CWSTDT4.1.3-2	88.90mm
1.50" x 1.00"	CR1510CWSTDT4.1.3-2	76.20mm
2.00" x 1.00"	CR2010CWSTDT4.1.3-2	98.43mm
2.00" x 1.50"	CR2015CWSTDT4.1.3-2	76.20mm
2.50" x 1.50"	CR2515CWSTDT4.1.3-2	98.43mm
2.50" x 2.00"	CR2520CWSTDT4.1.3-2	76.20mm
3.00" x 1.50"	CR3015CWSTDT4.1.3-2	120.65mm
3.00" x 2.00"	CR3020CWSTDT4.1.3-2	98.43mm
3.00" x 2.50"	CR3025CWSTDT4.1.3-2	79.38mm
4.00" x 2.00"	CR4020CWSTDT4.1.3-2	146.05mm
4.00" x 2.50"	CR4025CWSTDT4.1.3-2	123.83mm
4.00" x 3.00"	CR4030CWSTDT4.1.3-2	114.30mm

** Please note that other sizes are available upon request - Please speak to your Sales Contact for more information **

Stainless Fittings. Tipton Road, Dudley, West Midlands DY1 4SQ

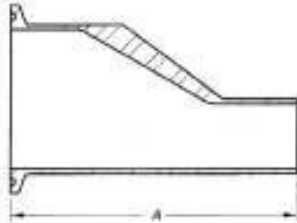
Tel: +44 (0)121 557 1188

E-mail: stainlessfittings@sfluk.co.uk www.sfluk.co.uk

Biobore Reducers



a stainless technologies company



DT4.1.3-2 - Eccentric Reducers C/W ✓ ASME BPE

Size	Part Code	Overall Length (mm)
0.75" x 0.50"	ER0705CWSTDT4.1.1-2	66.72mm
1.00" x 0.50"	ER1005CWSTDT4.1.1-2	76.20mm
1.00" x 0.75"	ER1007CWSTDT4.1.1-2	66.72mm
1.50" x 0.75"	ER1507CWSTDT4.1.1-2	88.90mm
1.50" x 1.00"	ER1510CWSTDT4.1.1-2	76.20mm
2.00" x 1.00"	ER2010CWSTDT4.1.1-2	98.43mm
2.00" x 1.50"	ER2015CWSTDT4.1.1-2	76.20mm
2.50" x 1.50"	ER2515CWSTDT4.1.1-2	98.43mm
2.50" x 2.00"	ER2520CWSTDT4.1.1-2	76.20mm
3.00" x 1.50"	ER3015CWSTDT4.1.1-2	120.65mm
3.00" x 2.00"	ER3020CWSTDT4.1.1-2	98.43mm
3.00" x 2.50"	ER3025CWSTDT4.1.1-2	79.38mm
4.00" x 2.00"	ER4020CWSTDT4.1.1-2	146.05mm
4.00" x 2.50"	ER4025CWSTDT4.1.1-2	123.83mm
4.00" x 3.00"	ER4030CWSTDT4.1.1-2	114.30mm

** Please note that other sizes are available upon request - please speak to your Sales Contact for more information **

Stainless Fittings. Tipton Road, Dudley, West Midlands DY1 4SQ

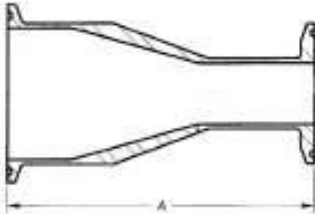
Tel: +44 (0)121 557 1188

E-mail: stainlessfittings@sfluk.co.uk www.sfluk.co.uk

Biobore Reducers



a  stainless technologies company



DT4.1.3-3 - Concentric Reducers C/C ✓ ASME BPE

Size	Part code	Overall Length (mm)
0.75" x 0.50"	CR0705CCSTDT4.1.3-3	79.38mm
1.00" x 0.50"	CR1005CCSTDT4.1.3-3	88.90mm
1.00" x 0.75"	CR1007CCSTDT4.1.3-3	79.38mm
1.50" x 0.75"	CR1507CCSTDT4.1.3-3	101.60mm
1.50" x 1.00"	CR1510CCSTDT4.1.3-3	88.90mm
2.00" x 1.00"	CR2010CCSTDT4.1.3-3	111.13mm
2.00" x 1.50"	CR2015CCSTDT4.1.3-3	88.90mm
2.50" x 1.50"	CR2515CCSTDT4.1.3-3	111.13mm
2.50" x 2.00"	CR2520CCSTDT4.1.3-3	88.90mm
3.00" x 1.50"	CR3015CCSTDT4.1.3-3	133.35mm
3.00" x 2.00"	CR3020CCSTDT4.1.3-3	111.13mm
3.00" x 2.50"	CR3025CCSTDT4.1.3-3	92.08mm
4.00" x 2.00"	CR4020CCSTDT4.1.3-3	158.75mm
4.00" x 2.50"	CR4025CCSTDT4.1.3-3	136.53mm
4.00" x 3.00"	CR4030CCSTDT4.1.3-3	127.00mm

**Please note that other sizes are available upon request - Please speak to your Sales Contact for more information **

Stainless Fittings. Tipton Road, Dudley, West Midlands DY1 4SQ

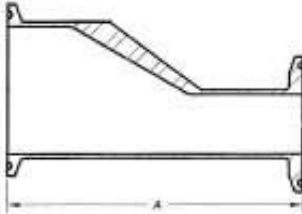
Tel: +44 (0)121 557 1188

E-mail: stainlessfittings@sfluk.co.uk www.sfluk.co.uk

Biobore Reducers



a  stainless technologies company



DT4.1.3-3 - Eccentric Reducers C/C✓ ASME BPE

Size	Part code	Overall Length (mm)
075" x 0.50"	ER0705CCSTDT4.1.3-3	79.38mm
1.00" x 0.50"	ER1005CCSTDT4.1.3-3	88.90mm
1.00" x 0.75"	ER1007CCSTDT4.1.3-3	79.38mm
1.50" x 0.75"	ER1507CCSTDT4.1.3-3	101.60mm
1.50" x 1.00"	ER1510CCSTDT4.1.3-3	88.90mm
2.00" x 1.00"	ER2010CCSTDT4.1.3-3	111.13mm
2.00" x 1.50"	ER2015CCSTDT4.1.3-3	88.90mm
2.50" x 1.50"	ER3515CCSTDT4.1.3-3	111.13mm
2.50" x 2.00"	ER2520CCSTDT4.1.3-3	88.90mm
3.00" x 1.50"	ER3015CCSTDT4.1.3-3	133.35mm
3.00" x 2.00"	ER3020CCSTDT4.1.3-3	111.13mm
3.00" x 2.50"	ER3025CCSTDT4.1.3-3	92.08mm
4.00" x 2.00"	ER4020CCSTDT4.1.3-3	158.75mm
4.00" x 2.50"	ER4025CCSTDT4.1.3-3	136mm
4.00" x 3.00"	ER4030CCSTDT4.1.3-3	127.00mm

** Please note that other sizes are available upon request - please speak to your Sales Contact for more information **

Stainless Fittings. Tipton Road, Dudley, West Midlands DY1 4SQ

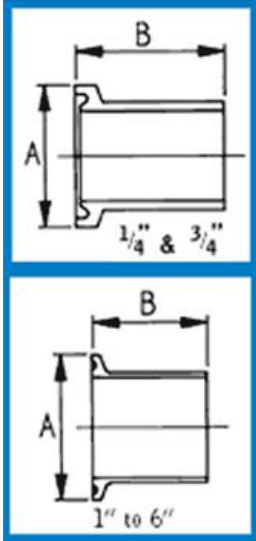
Tel: +44 (0)121 557 1188

E-mail: stainlessfittings@sfluk.co.uk www.sfluk.co.uk

Biobore Ferrules



a  stainless technologies company



DT22A Clamp Ferrule (DT-4.1.4-1) ✓ ASME BPE

Size (ins)	Part Code	A (mm)	B (mm)
0.25	CF02TLJUDT22	25.0	44.45
0.375	CF04TLJUDT22	25.0	44.45
0.5	CF05TLJUDT22	25.0	44.45
0.75	CF07TLJUDT22	25.0	44.45
1.0	CF10TLJUDT22	50.4	44.45
1.5	CF15TLJUDT22	50.4	44.45
2.0	CF20TLJUDT22	63.9	57.15
2.5	CF25TLJUDT22	77.4	57.15
3.0	CF30TLJUDT22	90.9	57.15
4.0	CF40TLJUDT22	118.9	57.15
6.0	CF60TLJUDT22	166.9	76.20

Stainless Fittings. Tipton Road, Dudley, West Midlands DY1 4SQ

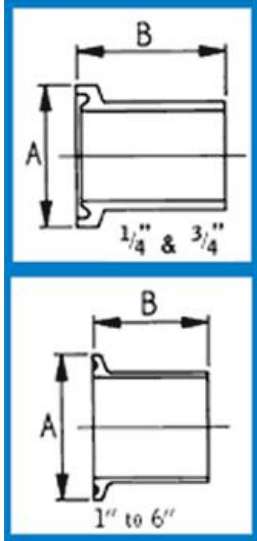
Tel: +44 (0)121 557 1188

E-mail: stainlessfittings@sfluk.co.uk www.sfluk.co.uk

Biobore Ferrules



a  stainless **technologies** company



DT22C Clamp Ferrule (DT-4.1.4-1) ✓ ASME BPE

Size (ins)	Part Code	A (mm)	B (mm)
0.25	CF02TLJUDT22C	25.0	12.70
0.375	CF04TLJUDT22C	25.0	12.70
0.5	CF05TLJUDT22C	25.0	12.70
0.75	CF07TLJUDT22C	25.0	12.70
1.0	CF10TLJUDT22C	50.4	12.70
1.5	CF15TLJUDT22C	50.4	12.70
2.0	CF20TLJUDT22C	63.9	12.70
2.5	CF25TLJUDT22C	77.4	12.70
3.0	CF30TLJUDT22C	90.9	12.70
4.0	CF40TLJUDT22C	118.9	15.88
6.0	CF60TLJUDT22C	166.9	19.05

Stainless Fittings. Tipton Road, Dudley, West Midlands DY1 4SQ

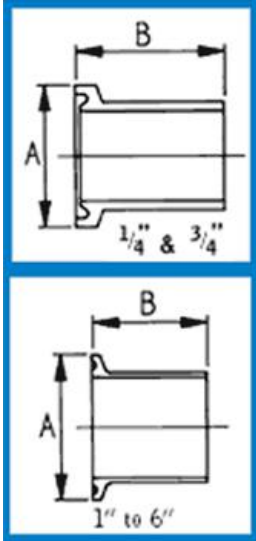
Tel: +44 (0)121 557 1188

E-mail: stainlessfittings@sfluk.co.uk www.sfluk.co.uk

Biobore Ferrules



a  stainless technologies company



DT22B Clamp Ferrule (DT-4.1.4-1) ✓ ASME BPE

Size (ins)	Part Code	A (mm)	B (mm)
0.25	CF02TLJUDT22B	25.0	28.58
0.375	CF04TLJUDT22B	25.0	28.58
0.5	CF05TLJUDT22B	25.0	28.58
0.75	CF07TLJUDT22B	25.0	28.58
1.0	CF10TLJUDT22B	50.4	28.58
1.5	CF15TLJUDT22B	50.4	28.58
2.0	CF20TLJUDT22B	63.9	28.58
2.5	CF25TLJUDT22B	77.4	28.58
3.0	CF30TLJUDT22B	90.9	28.58
4.0	CF40TLJUDT22B	118.9	28.58
6.0	CF60TLJUDT22B	166.9	38.10

Stainless Fittings. Tipton Road, Dudley, West Midlands DY1 4SQ

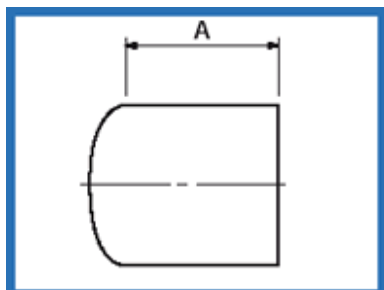
Tel: +44 (0)121 557 1188

E-mail: stainlessfittings@sfluk.co.uk www.sfluk.co.uk

BIOBORE CAPS & BLANKS



a  stainless **technologies** company



Domed End Caps DT30 (DT4.1.5-1) ✓ ASME BPE

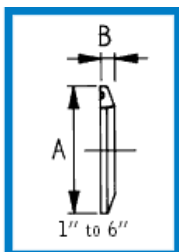
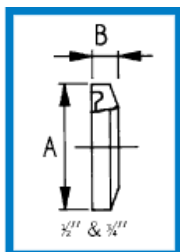
SIZE	PART #	A (mm)
0.5	DEC05STDT30	38.1
0.75	DEC07STDT30	38.1
1.0	DEC10STDT30	38.1
1.5	DEC15STDT30	38.1
2.0	DEC20STDT30	38.1
2.5	DEC25STDT30	38.1
3.0	DEC30STDT30	44.5
4.0	DEC40STDT30	50.8
6.0	DEC60STDT30	63.5

Stainless Fittings. Tipton Road, Dudley, West Midlands DY1 4SQ
Tel: +44 (0)121 557 1188
E-mail: stainlessfittings@sfluk.co.uk www.sfluk.co.uk

BIOBORE CAPS & BLANKS



a  stainless **technologies** company



Solid End Caps (Blanks) DT31 (DT-4.1.5-2) ✓ ASME BPE

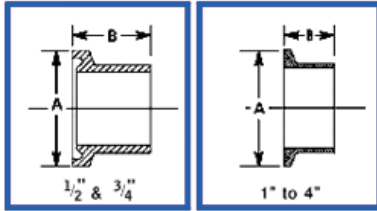
SIZE	PART #	A mm	B mm
0.5/0.75	BC07STDT31	25.0	4.7
1.0/1.5	BC15STDT31	50.4	6.4
2.0	BC20STDT31	63.9	6.4
2.5	BC25STDT31	77.4	6.4
3.0	BC30STDT31	90.9	6.4
4.0	BC40STDT31	118.9	7.9
6.0	BC60STDT31	166.9	11.1

Stainless Fittings. Tipton Road, Dudley, West Midlands DY1 4SQ

Tel: +44 (0)121 557 1188

E-mail: stainlessfittings@sfluk.co.uk www.sfluk.co.uk

Non ASME BPE Products



Ferrule (K135)

Size (ins)	Part Code	A (mm)	B (mm)
0.5	K135 05	25.0	21.5
0.75	K135 07	25.0	21.5
1.0	K135 10	50.4	21.5
1.5	K135 15	50.4	21.5
2.0	K135 20	63.9	21.5
2.5	K135 25	77.4	21.5
3.0	K135 30	90.9	21.5
4.0	K135 40	118.9	21.5

Stainless Fittings. Tipton Road, Dudley, West Midlands DY1 4SQ

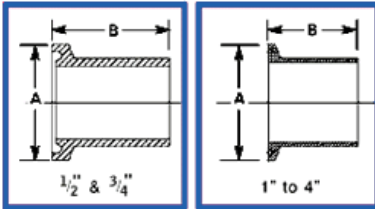
Tel: +44 (0)121 557 1188

E-mail: stainlessfittings@sfluk.co.uk www.sfluk.co.uk

Non ASME BPE Products



a  stainless technologies company



Clamp Ferrule (K124) ✓ ASME BPE

K124 Clamp Ferrule

Size(ins)	Part Code	A(mm)	B(mm)
0.5	K124 05	25.0	28.6
0.75	K124 07	25.0	28.6
1.0	K124 10	50.4	28.6
1.5	K124 15	50.4	28.6
2.0	K124 20	63.9	28.6
2.5	K124 25	77.4	28.6
3.0	K124 30	90.9	28.6
4.0	K124 40	118.9	28.6

Stainless Fittings. Tipton Road, Dudley, West Midlands DY1 4SQ

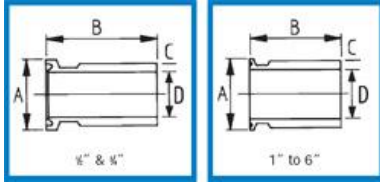
Tel: +44 (0)121 557 1188

E-mail: stainlessfittings@sfluk.co.uk www.sfluk.co.uk

Non ASME BPE Products



a  stainless **technologies** company



Tank Ferrule

Size (ins)	Part Code	A (mm)	B (mm)	C (mm)	D (mm)
0.5	TF05H	25.0	51.0	3.60	9.5
0.75	TF07H	25.0	51.0	3.60	15.9
1.0	TF10H	50.4	63.5	6.35	22.2
1.5	TF15H	50.4	63.5	6.35	34.9
2.0	TF20H	63.9	76.2	6.35	47.6
2.5	TF25H	77.4	76.2	6.50	60.3
3.0	TF30H	90.9	101.6	6.35	73.0
4.0	TF40H	118.9	101.6	6.45	97.6
6.0	TF60H	166.9	101.6	6.50	146.9

Stainless Fittings. Tipton Road, Dudley, West Midlands DY1 4SQ

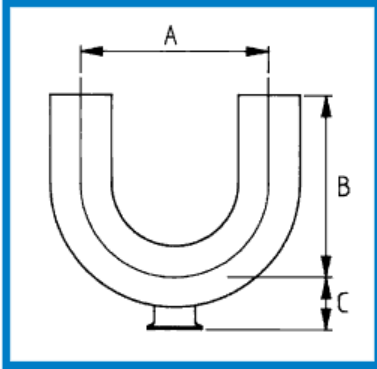
Tel: +44 (0)121 557 1188

E-mail: stainlessfittings@sfluk.co.uk www.sfluk.co.uk

Non ASME BPE Products



a  stainless **technologies** company



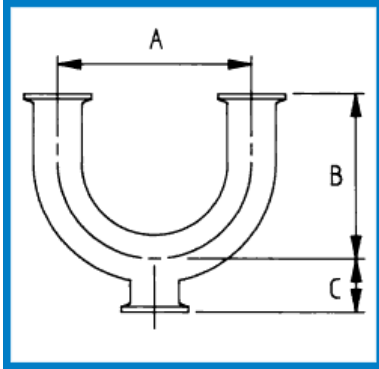
Outlet Loop W/W/C

Size (ins)	Part Code	A (mm)	B (mm)	C (mm)
1.0 x 0.5	OL1005WWC	76.2	76.2	31.7
1.0 x 0.75	OL1007WWC	76.2	76.2	31.7
1.5 x 0.5	OL1505WWC	114.3	114.3	38.1
1.5 x 0.75	OL1507WWC	114.3	114.3	38.1
1.5 x 1.0	OL1510WWC	114.3	114.3	38.1
2.0 x 0.5	OL2005WWC	152.4	127.0	44.5
2.0 x 0.75	OL2007WWC	152.4	127.0	44.5
2.0 x 1.0	OL2010WWC	152.4	127.0	50.8
2.0 x 1.5	OL2015WWC	152.4	127.0	44.5
2.5 x 0.5	OL2505WWC	190.5	146.1	50.8
2.5 x 0.75	OL2507WWC	190.5	146.1	50.8
2.5 x 1.0	OL2510WWC	190.5	146.1	55.5
2.5 x 1.5	OL2515WWC	190.5	146.1	50.8
2.5 x 2.0	OL2520WWC	190.5	146.1	60.3
3.0 x 0.5	OL3005WWC	228.6	165.1	57.2
3.0 x 0.75	OL3007WWC	228.6	165.1	57.2
3.0 x 1.0	OL3010WWC	228.6	165.1	63.5
3.0 x 1.5	OL3015WWC	228.6	165.1	58.7
3.0 x 2.0	OL3020WWC	228.6	165.1	57.2
3.0 x 2.5	OL3025WWC	228.6	165.1	66.7
4.0 x 0.5	OL4005WWC	304.8	215.9	69.8
4.0 x 0.75	OL4007WWC	304.8	215.9	69.8
4.0 x 1.0	OL4010WWC	304.8	215.9	77.8
4.0 x 1.5	OL4015WWC	304.8	215.9	74.6
4.0 x 2.0	OL4020WWC	304.8	215.9	69.8
4.0 x 2.5	OL4025WWC	304.8	215.9	79.4
4.0 x 3.0	OL4030WWC	304.8	215.9	79.4

Non ASME BPE Products



a  stainless technologies company



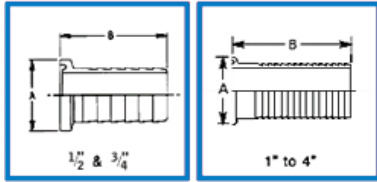
Outlet Loop C/C/C

Size (ins)	Part Code	A (mm)	B (mm)	C (mm)
1.0 x 0.5	OL1005CCC	76.2	88.9	31.7
1.0 x 0.75	OL1007CCC	76.2	88.9	31.7
1.5 x 0.5	OL1505CCC	114.3	127.0	38.1
1.5 x 0.75	OL1507CCC	114.3	127.0	38.1
1.5 x 1.0	OL1510CCC	114.3	127.0	38.1
2.0 x 0.5	OL2005CCC	152.4	139.7	44.5
2.0 x 0.75	OL2007CCC	152.4	139.7	44.5
2.0 x 1.0	OL2010CCC	152.4	139.7	50.8
2.0 x 1.5	OL2015CCC	152.4	139.7	44.5
2.5 x 0.5	OL2505CCC	190.5	158.8	50.8
2.5 x 0.75	OL2507CCC	190.5	158.8	50.8
2.5 x 1.0	OL2510CCC	190.5	158.8	55.5
2.5 x 1.5	OL2515CCC	190.5	158.8	50.8
2.5 x 2.0	OL2520CCC	190.5	158.8	60.3
3.0 x 0.5	OL3005CCC	228.6	177.8	57.2
3.0 x 0.75	OL3007CCC	228.6	177.8	57.2
3.0 x 1.0	OL3010CCC	228.6	177.8	63.5
3.0 x 1.5	OL3015CCC	228.6	177.8	58.7
3.0 x 2.0	OL3020CCC	228.6	177.8	57.2
3.0 x 2.5	OL3025CCC	228.6	177.8	66.7
4.0 x 0.5	OL4005CCC	304.8	231.8	69.8
4.0 x 0.75	OL4007CCC	304.8	231.8	69.8
4.0 x 1.0	OL4010CCC	304.8	231.8	77.8
4.0 x 1.5	OL4015CCC	304.8	231.8	74.6
4.0 x 2.0	OL4020CCC	304.8	231.8	69.8
4.0 x 2.5	OL4025CCC	304.8	231.8	79.4
4.0 x 3.0	OL4030CCC	304.8	231.8	79.4

Non ASME BPE Products



a  stainless **technologies** company



Hose Liners (K118)

SIZE	PART CODE	'A' Dimension	'B' Dimension
0.5	K118 05	25.0	38.1
0.75	K118 07	25.0	38.1
1.0	K118 10	50.4	101.6
1.5	K118 15	50.4	101.6
2.0	K118 20	63.9	101.6
2.5	K118 25	77.4	101.6
3.0	K118 30	90.9	101.6
4.0	K118 40	118.9	110.0

Stainless Fittings. Tipton Road, Dudley, West Midlands DY1 4SQ

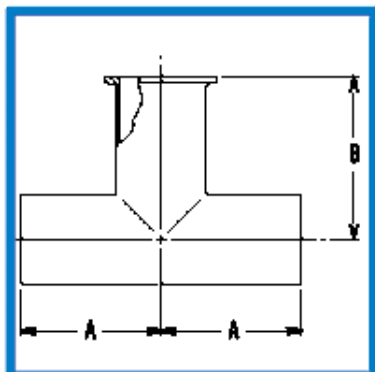
Tel: +44 (0)121 557 1188

E-mail: stainlessfittings@sfluk.co.uk www.sfluk.co.uk

Non ASME BPE Products



a  stainless **technologies** company



Equal Outlet Tee W/W/C

Size	(ins)	Part Code	A	(mm)	B	(mm)
0.25		E0T02WWC	44.5		57.2	
0.375		E0T04WWC	44.5		57.2	
0.50		E0T05WWC	47.6		60.3	
0.75		E0T07WWC	50.8		63.5	
1.00		E0T10WWC	54.0		66.7	
1.50		E0T15WWC	60.3		73.0	
2.00		E0T20WWC	73.0		85.7	
2.50		E0T25WWC	79.4		92.1	
3.00		E0T30WWC	85.7		98.4	
4.00		E0T40WWC	104.8		120.7	
6.00		E0T60WWC	142.9		181.0	

Stainless Fittings. Tipton Road, Dudley, West Midlands DY1 4SQ

Tel: +44 (0)121 557 1188

E-mail: stainlessfittings@sfluk.co.uk www.sfluk.co.uk

Non ASME BPE Products



a  stainless **technologies** company

Bends

We currently supply a range of 88 Degree and 92 Degree Bends - these are available in 0.5" to 6" sizes and can be supplied with a mixture of clamp or butt weld ends. Mechanically polished or Electro polished surface finishes are also available.

Please Enquire with our Sales Team for further information.

Stainless Fittings. Tipton Road, Dudley, West Midlands DY1 4SQ

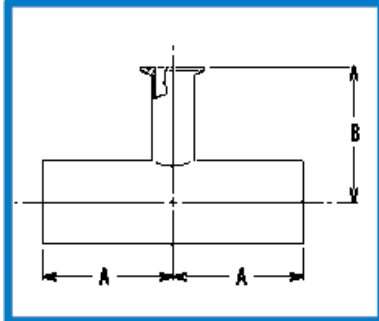
Tel: +44 (0)121 557 1188

E-mail: stainlessfittings@sfluk.co.uk www.sfluk.co.uk

Non ASME BPE Products



a  stainless **technologies** company



Reducing Tee W/W/C

Size	(ins)	Part Code	A	(mm)	B	(mm)
0.375	x 0.25	RT0402WWC	44.5		57.2	
0.50	x 0.25	RT0502WWC	47.6		60.3	
0.50	x 0.375	RT0504WWC	47.6		60.3	
0.75	x 0.25	RT0702WWC	50.8		63.5	
0.75	x 0.375	RT0704WWC	50.8		63.5	
0.75	x 0.50	RT0705WWC	50.8		63.5	
1.0	x 0.25	RT1002WWC	54.0		66.7	
1.0	x 0.375	RT1004WWC	54.0		66.7	
1.0	x 0.5	RT1005WWC	54.0		66.7	
1.0	x 0.75	RT1007WWC	54.0		66.7	
1.5	x 0.5	RT1505WWC	60.3		73.0	
1.5	x 0.75	RT1507WWC	60.3		73.0	
1.5	x 1.0	RT1510WWC	60.3		73.0	
2.0	x 0.5	RT2005WWC	73.0		79.4	
2.0	x 0.75	RT2007WWC	73.0		79.4	
2.0	x 1.0	RT2010WWC	73.0		79.4	
2.0	x 1.5	RT2015WWC	73.0		79.4	
2.5	x 0.5	RT2505WWC	79.4		85.7	
2.5	x 0.75	RT2507WWC	79.4		85.7	
2.5	x 1.0	RT2510WWC	79.4		85.7	
2.5	x 1.5	RT2515WWC	79.4		85.7	
2.5	x 2.0	RT2520WWC	79.4		85.7	
3.0	x 0.5	RT3005WWC	85.7		92.1	
3.0	x 0.75	RT3007WWC	85.7		92.1	
3.0	x 1.0	RT3010WWC	85.7		92.1	
3.0	x 1.5	RT3015WWC	85.7		92.1	
3.0	x 2.0	RT3020WWC	85.7		92.1	
3.0	x 2.5	RT3025WWC	85.7		92.1	
4.0	x 0.5	RT4005WWC	104.8		104.8	
4.0	x 0.75	RT4007WWC	104.8		104.8	
4.0	x 1.0	RT4010WWC	104.8		104.8	

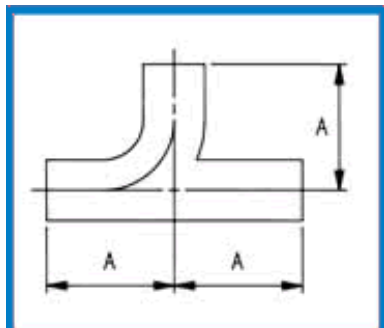
4.0	x 1.5	RT4015WWC	104.8	104.8
4.0	x 2.0	RT4020WWC	104.8	111.1
4.0	x 2.5	RT4025WWC	104.8	111.1
4.0	x 3.0	RT4030WWC	104.8	111.1
6.0	x 2.0	RT6020WWC	142.9	168.3
6.0	x 2.5	RT6025WWC	142.9	181.0
6.0	x 3.0	RT6030WWC	142.9	181.0
6.0	x 4.0	RT6040WWC	142.9	181.0

Stainless Fittings. Tipton Road, Dudley, West Midlands DY1 4SQ
Tel: +44 (0)121 557 1188
E-mail: stainlessfittings@sfluk.co.uk www.sfluk.co.uk

Non ASME BPE Products



a  stainless **technologies** company



Swept Tee

Size (ins)	Part Code	A (mm)
0.75	ST07WWW	73
1.0	ST10WWW	73
1.5	ST15WWW	92
2.0	ST20WWW	118
2.5	ST25WWW	136
3.0	ST30WWW	155
4.0	ST40WWW	200
6.0	ST60WWW	290

Stainless Fittings. Tipton Road, Dudley, West Midlands DY1 4SQ

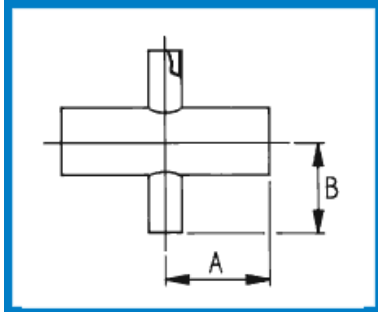
Tel: +44 (0)121 557 1188

E-mail: stainlessfittings@sfluk.co.uk www.sfluk.co.uk

Non ASME BPE Products



a  stainless technologies company



Reducing Cross

0.375 x 0.25	RC0402WWWW	44.5	44.5
0.50 x 0.25	RC0502WWWW	47.6	47.6
0.50 x 0.375	RC0504WWWW	47.6	47.6
0.75 x 0.25	RC0702WWWW	50.8	50.8
0.75 x 0.375	RC0704WWWW	50.8	50.8
0.75 x 0.50	RC0705WWWW	50.8	50.8
1.0 x 0.25	RC1002WWWW	54.0	54.0
1.0 x 0.375	RC1004WWWW	54.0	54.0
1.0 x 0.5	RC1005WWWW	54.0	54.0
1.0 x 0.75	RC1007WWWW	54.0	54.0
1.5 x 0.5	RC1505WWWW	60.3	60.3
1.5 x 0.75	RC1507WWWW	60.3	60.3
1.5 x 1.0	RC1510WWWW	60.3	60.3
2.0 x 0.5	RC2005WWWW	73.0	66.7
2.0 x 0.75	RC2007WWWW	73.0	66.7
2.0 x 1.0	RC2010WWWW	73.0	66.7
2.0 x 1.5	RC2015WWWW	73.0	66.7
2.5 x 0.5	RC2505WWWW	79.4	73.0
2.5 x 0.75	RC2507WWWW	79.4	73.0
2.5 x 1.0	RC2510WWWW	79.4	73.0
2.5 x 1.5	RC2515WWWW	79.4	73.0
2.5 x 2.0	RC2520WWWW	79.4	73.0
3.0 x 0.5	RC3005WWWW	85.7	79.4
3.0 x 0.75	RC3007WWWW	85.7	79.4
3.0 x 1.0	RC3010WWWW	85.7	79.4
3.0 x 1.5	RC3015WWWW	85.7	79.4
3.0 x 2.0	RC3020WWWW	85.7	79.4
3.0 x 2.5	RC3025WWWW	85.7	79.4
4.0 x 0.5	RC4005WWWW	104.8	92.1
4.0 x 0.75	RC4007WWWW	104.8	92.1

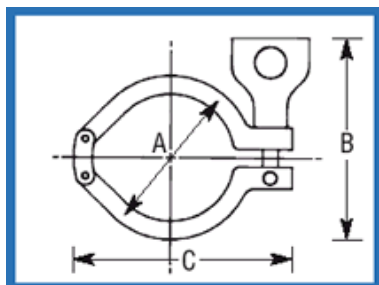
4.0 x 1.0	RC4010WWWW	104.8	92.1
4.0 x 1.5	RC4015WWWW	104.8	92.1
4.0 x 2.0	RC4020WWWW	104.8	98.4
4.0 x 2.5	RC4025WWWW	104.8	98.4
4.0 x 3.0	RC4030WWWW	104.8	98.4
6.0 x 2.0	RC6020WWWW	142.9	130.2
6.0 x 2.5	RC6025WWWW	142.9	130.2
6.0 x 3.0	RC6030WWWW	142.9	130.2
6.0 x 4.0	RC6040WWWW	142.9	130.2

Stainless Fittings. Tipton Road, Dudley, West Midlands DY1 4SQ
Tel: +44 (0)121 557 1188
E-mail: stainlessfittings@sfluk.co.uk **www.sfluk.co.uk**

Non ASME BPE Products



a  stainless **technologies** company



Clamps (K750)

Size (ins)	Part Code	Pressure at 20°C PSI	Pressure at 120°C PSI
0.25-0.75	K750 07 01P	600	300
1.0-1.5	K750 15 01P	500	250
2.0	K750 20 01P	450	250
2.5	K750 25 01P	400	200
3.0	K750 30 01P	350	150
4.0	K750 40 01P	200	125

Size (ins)	Part Code	A (mm)	B (mm)	C (mm)
0.25	K750 0701P	28.57	65	53
0.375	K750 0701P	28.57	65	53
0.50	K750 0701P	28.57	65	53
0.75	K750 0701P	28.57	65	53
1.00	K750 1501P	53.89	80	95
1.50	K750 1501P	53.89	80	95
2.00	K750 2001P	67.41	85	105
2.50	K750 2501P	80.89	95	125
3.00	K750 3001P	94.41	95	140
4.00	K750 4001P	122.42	125	170
6.00	K750 6001P	170.05	190	220

Stainless Fittings. Tipton Road, Dudley, West Midlands DY1 4SQ

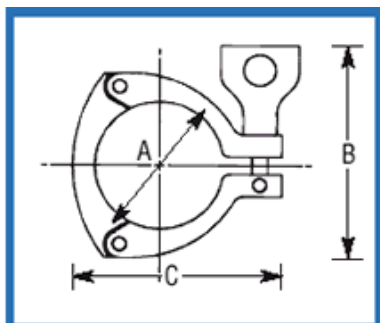
Tel: +44 (0)121 557 1188

E-mail: stainlessfittings@sfluk.co.uk www.sfluk.co.uk

Non ASME BPE Products



a  stainless **technologies** company



Clamp - Three Part (K752)

Size (ins)	Part Code	Pressure at 20°C PSI	Pressure at 120°C PSI
1.0-1.5	K752 15 01P	600	300
2.0	K752 20 01P	550	275
2.5	K752 25 01P	450	225
3 0	K752 30 01P	350	160
4.0	K752 40 01P	250	150

Size (ins)	Part Code	A (mm)	B (mm)	C (mm)
1.00	K752 1501P	53.89	85	85
1.50	K752 1501P	53.89	85	85
2.00	K752 2001P	67.41	90	95
2.50	K752 2501P	80.89	100	105
3.00	K752 3001P	94.41	110	125
4.00	K752 4001P	122.42	140	155

Stainless Fittings. Tipton Road, Dudley, West Midlands DY1 4SQ

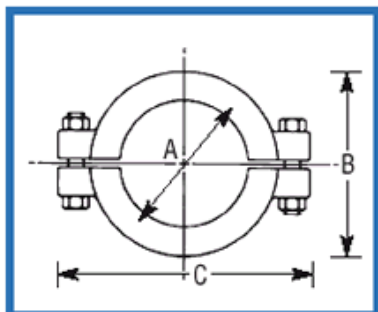
Tel: +44 (0)121 557 1188

E-mail: stainlessfittings@sfluk.co.uk www.sfluk.co.uk

Non ASME BPE Products



a  stainless technologies company



Clamp - High Pressure Bolted (K753)

Size (ins)	Part Code	Pressure at 20°C PSI	Pressure at 120°C PSI
1.0-1.5	K753 15 01P	1500	1200
2.0	K753 20 01P	1000	800
2.5	K753 25 01P	1000	800
3.0	K753 30 01P	1000	800
4.0	K753 40 01P	1000	800

Size (ins)	Part Code	A (mm)	B (mm)	C (mm)
1.00	K753 1501P	51.96	80	105
1.50	K753 1501P	51.96	80	105
2.00	K753 2001P	66.29	95	115
2.50	K753 2501P	78.99	105	130
3.00	K753 3001P	92.45	115	145
4.00	K753 4001P	120.49	135	175
6.00	K753 6001P	168.45	180	225

NOTE : ONLY TYPE 1 RUBBER GASKETS SHOULD BE USED WITH THE K753 HIGH PRESSURE BOLTED CLAMP. CONTACT STAINLESS FITTINGS FOR OTHER OPTIONS.

Stainless Fittings. Tipton Road, Dudley, West Midlands DY1 4SQ

Tel: +44 (0)121 557 1188

E-mail: stainlessfittings@sfluk.co.uk www.sfluk.co.uk

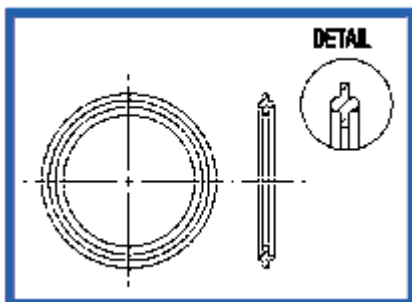
Non ASME BPE Products



a  stainless technologies company

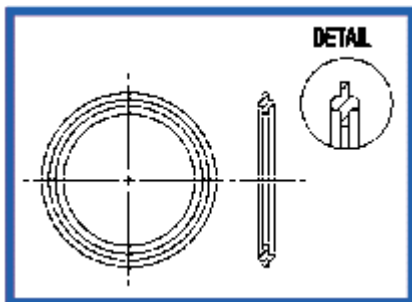
Gaskets

K738 White Viton Gasket Type 1



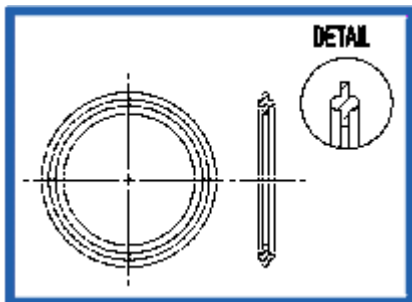
Size (ins)	Part Code
0.5	K738 05 08G
0.75	K738 07 08G
1.0	K738 10 08G
1.5	K738 15 08G
2.0	K738 20 08G
2.5	K738 25 08G
3.0	K738 30 08G
4.0	K738 40 08G

K837 Nitrile Gasket Type 1



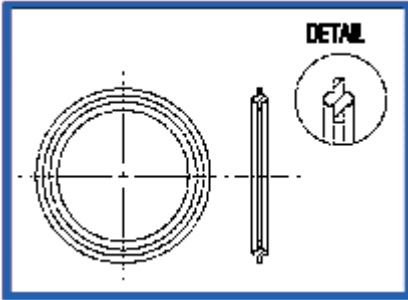
Size (ins)	Part Code
1.0	K837 10 08G
1.5	K837 15 08G
2.0	K837 20 08G
2.5	K837 25 08G
3.0	K837 30 08G
4.0	K837 40 08G

K852 EPDM Gasket Type 1



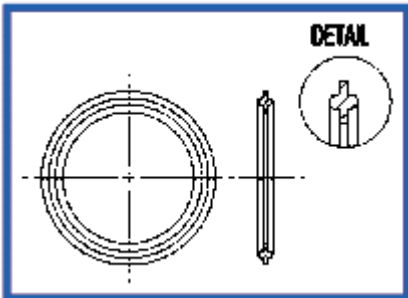
Size (ins)	Part Code
1.0	K852 10 08G
1.5	K852 15 08G
2.0	K852 20 08G
2.5	K852 25 08G
3.0	K852 30 08G
4.0	K852 40 08G

**K839 Silicone Gasket
Platinum Cured
Type 1**



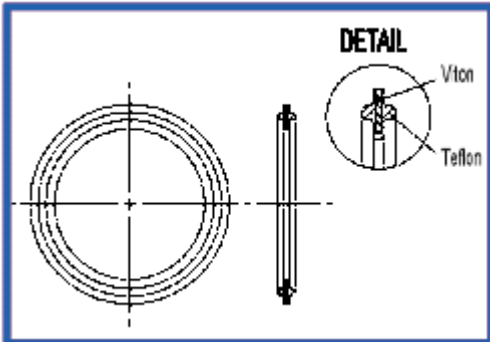
Size (ins)	Part Code
0.5	K839 05 08G
0.75	K839 07 08G
1.0	K839 10 08G
1.5	K839 15 08G
2.0	K839 20 08G
2.5	K839 25 08G
3.0	K839 30 08G
4.0	K839 40 08G

K829 Solid Teflon Gasket



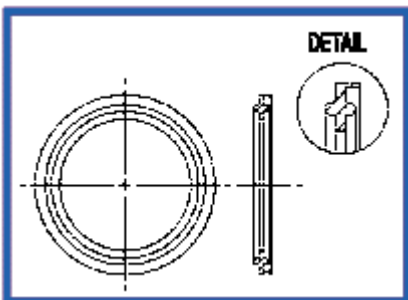
Size (ins)	Size Code
0.5	05 10G
0.75	07 10G
1.0	10 10G
1.5	15 10G
2.0	20 10G
2.5	25 10G
3.0	30 10G
4.0	40 10G

**K831 Envelope Gasket Viton Inner K828
Envelope Gasket EPDM Inner**



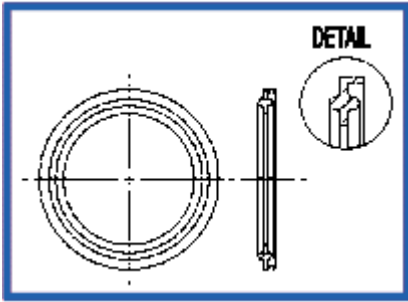
Size (ins)	Size Code
0.5	05 10G
0.75	07 10G
1.0	10 10G
1.5	15 10G
2.0	20 10G
2.5	25 10G
3.0	30 10G
4.0	40 10G

**K737 White Viton Gasket
Type 2**

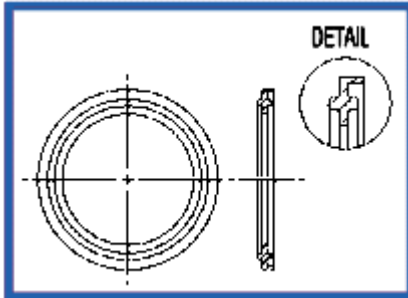


Size (ins)	Size Code
1.0	10 08G
1.5	15 08G
2.0	20 08G
2.5	25 08G
3.0	30 08G
4.0	40 08G

K834 Green Viton Gasket Type 2

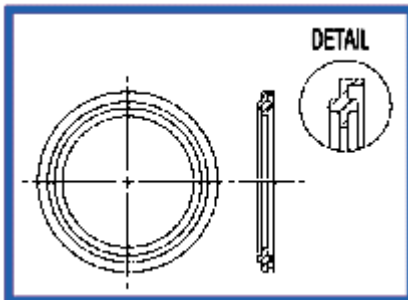


Size (ins)	Size Code
0.5	05 08G
0.75	07 08G
1.0	10 08G
1.5	15 08G
2.0	20 08G
2.5	25 08G
3.0	30 08G
4.0	40 08G



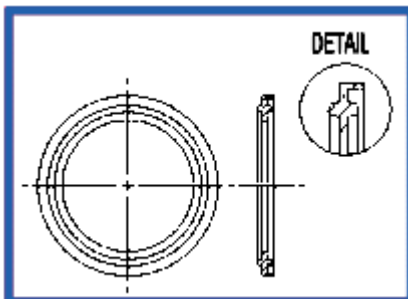
K830 Nitrile Gasket Type 2

Size (ins)	Size Code
1.0	10 08G
1.5	15 08G
2.0	20 08G
2.5	25 08G
3.0	30 08G
4.0	40 08G



K832 EPDM Gasket Type 2

Size (ins)	Size Code
0.5	05 08G
0.75	07 08G
1.0	10 08G
1.5	15 08G
2.0	20 08G
2.5	25 08G
3.0	30 08G
4.0	40 08G



K835 White Silicone Gasket Type 2

Size (ins)	Size Code
1.0	10 08G
1.5	15 08G
2.0	20 08G
2.5	25 08G
3.0	30 08G
4.0	40 08G

All materials are approved by: 3A, USDA, and comply with FDA's Code of Federal Register - Title 21, Part 177.

Material	EPDM	VITON	SILICONE	PTFE
Temperature	-50 to 150°C	+30 to 250°C	-90 to 200°C	-25 to 250°C
Acid	Good to Ex.	Good	Good	Excellent
Vegetable Oil	Good (most)	Excellent	Poor to Good	Excellent
Petroleum Oil	Poor	Excellent	Good	Excellent
Steam	Good	Good	Good	Excellent
Abrasion Resist.	Good	Good	Poor	Excellent

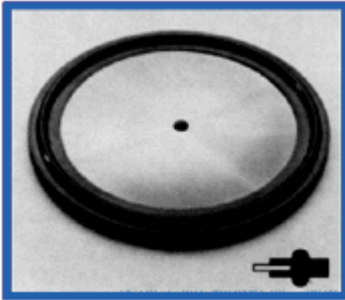
PTFE GASKETS - LIMITED USE NOTE

PSI Service Ratings for clamps DO NOT APPLY to 1" and above connections incorporating PTFE gaskets. PTFE is virtually incompressible and tends to "cold flow" under normal operating conditions. PTFE gaskets, when used with any standard clamp, are likely to leak at pressures below the published service ratings.

To avoid possible leakage problems, we recommend consulting SFL before considering the use of PTFE material. This limitation does not apply to 0.5" and 0.75" Tube OD fittings and connections, due to the recessed, full-containment design of Fractional end connections.

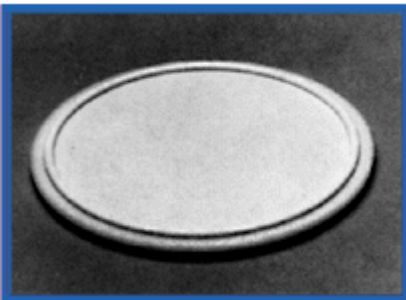
ENVELOPE GASKETS

Consists of a PTFE outer jacket sandwiching a viton insert thus imparting some compressibility together with the excellent heat and steam resistant properties.



K186 Orifice Plate- Viton S/S

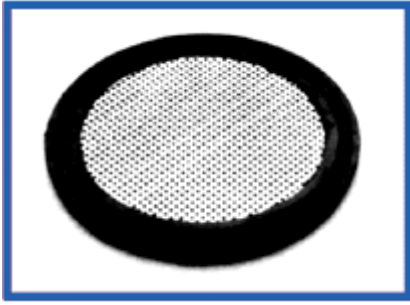
Size (ins)	Part Code
1.0	K186 10 08G
1.5	K186 15 08G
2.0	K186 20 08G
2.5	K186 25 08G
3.0	K186 30 08G
4.0	K186 40 08G



K772 Orifice Plate- Solid PTFE

Size (ins)	Part Code
0.5	K772 05 10G
0.75	K772 07 10G
1.0	K772 10 10G
1.5	K772 15 10G
2.0	K772 20 10G
2.5	K772 25 10G
3.0	K772 30 10G
4.0	K772 40 10G

**K747 Screen Disk -Viton
(Standard = 10 Mesh)**



Size (ins)	Part Code
1.0	K747 10 08G
1.5	K747 15 08G
2.0	K747 20 08G
2.5	K747 25 08G
3.0	K747 30 08G
4.0	K747 40 08G

****PLEASE STATE MESH SIZE REQUIRED ****

K773 Screen Mesh -Viton



Size (ins)	Part Code
1.0	K773 10 08G
1.5	K773 15 08G
2.0	K773 20 08G
2.5	K773 25 08G
3.0	K773 30 08G
4.0	K773 40 08G

Stainless Fittings. Tipton Road, Dudley, West Midlands DY1 4SQ

Tel: +44 (0)121 557 1188

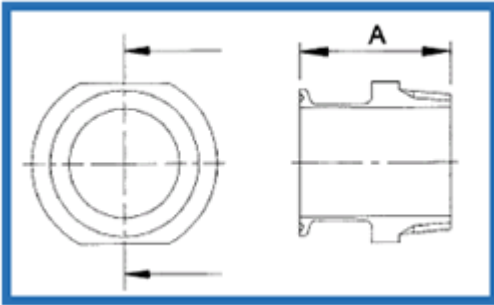
E-mail: stainlessfittings@sfluk.co.uk www.sfluk.co.uk

Non ASME BPE Products



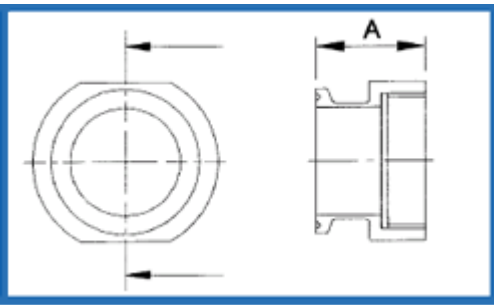
a  stainless **technologies** company

Adaptors



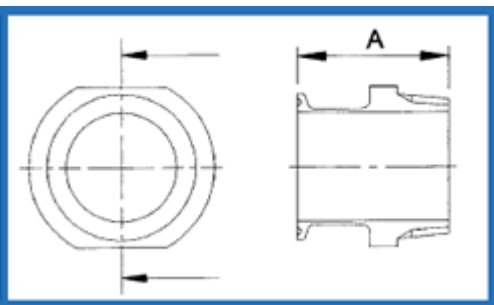
K204 Adaptor Clamp/BSPT Male

Size (ins)	Part Code	A (mm)
0.5	K204 05	50.8
0.75	K204 07	50.8
1.0	K204 10	50.8
1.5	K204 15	60.3
2.0	K204 20	63.5
2.5	K204 25	70.0
3.0	K204 30	79.0
4.0	K204 40	90.0



K205 Adaptor Clamp/BSPT Female

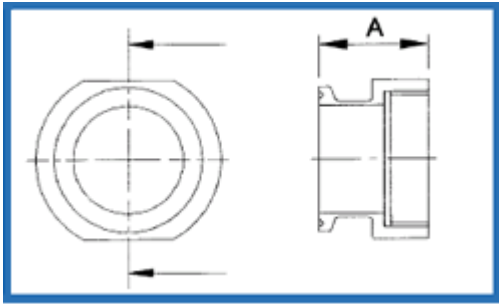
Size (ins)	Part Code	A (mm)
0.5	K205 05	44.0
0.75	K205 07	44.0
1.0	K205 10	44.0
1.5	K205 15	51.0
2.0	K205 20	52.5
2.5	K205 25	58.0
3.0	K205 30	65.0
4.0	K205 40	75.0



K214 Adaptor Clamp/NPT Male

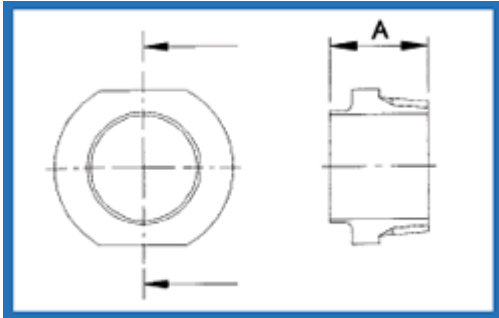
Size (ins)	Part Code	A (mm)
0.5	K214 05	50.8
0.75	K214 07	50.8
1.0	K214 10	50.8
1.5	K214 15	60.3
2.0	K214 20	63.5
2.5	K214 25	70.0
3.0	K214 30	79.0
4.0	K214 40	90.0

K215 Adaptor Clamp/NPT Female



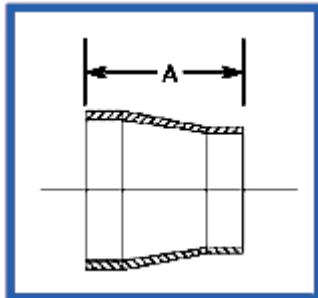
Size (ins)	Part Code	A(mm)
0.5	K215 05	44.0
0.75	K215 07	44.0
1.0	K215 10	44.0
1.5	K215 15	51.0
2.0	K215 20	52.5
2.5	K215 25	58.0
3.0	K215 30	65.0
4.0	K215 40	75.0

N198 Adaptor Tube/BSPT Male



Size (ins)	Part Code	A (mm)
0.5	N198 05	50.8
0.75	N198 07	50.8
1.0	N198 10	69.8
1.5	N198 15	69.8
2.0	N198 20	69.8
2.5	N198 25	69.8
3.0	N198 30	69.8
4.0	N198 40	69.8

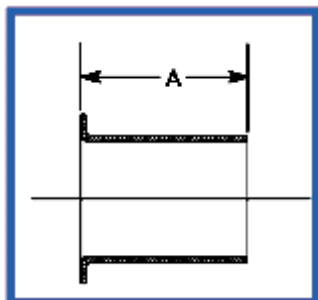
N219 Adaptor O/D Tube/N/B Pipe SCH 10*



Size (ins)	Part Code	A (mm)
0.5	N219 05	25.4
0.75	N219 07	25.4
1.0	N219 10	25.4
1.5	N219 15	38.1
2.0	N219 20	38.1
2.5	N219 25	38.1
3.0	N219 30	70.0
4.0	N219 40	70.0

* Other pipe schedules available on request

N191 Stub End



Size (ins)	Part Code	A (mm)
0.5	N191 05	50.8
0.75	N191 07	50.8
1.0	N191 10	69.8
1.5	N191 15	69.8
2.0	N191 20	69.8
2.5	N191 25	69.8
3.0	N191 30	69.8
4.0	N191 40	69.8



HIGH PURITY FABRICATIONS

Our Specialist Fabrication Department

Here at SFL we pride ourselves on our consistently high standards of work, carried out by our vastly experienced and knowledgeable fabrication team, always ensuring that our clients feel completely safe in our hands.

We have many years of stainless steel fabricating know-how, including capabilities such as welding, polishing and machining. Our fabrications are used all around the world in major process industries such as Pharmaceutical, Dairy, Food and Beverage, Chemical and Petrochemical. Our array of skills make us your one-stop solution.

We are large enough to accommodate the most demanding requirement but small enough to be able to offer a personal service for smaller jobs.

Your enquiry starts a process that begins with a detailed Contract Review Meeting. We work from your drawings or sketches to begin with which enables us to turn your ideas into reality. The Contract Review Meeting involves input from the manufacturing team, the sales team, our QA manager and you, the client. This process ensures that we have a thorough understanding of your requirements – first time, every time.

Our skilled fabricators and welders work closely together ensuring your needs are fully met. Our fully qualified welders are coded to include ISO standards EN 1418(orbital) and EN 287-1(manual) as well as ASME IX (orbital and Manual) and carry out both manual TIG and orbital welding. Orbital welds are widely used in the Pharmaceutical industry and also on many high purity fabricated pipelines and manifolds. Our orbital welding procedure produces a crevice free joint that does not require final polishing. A crevice free joint is essential for eliminating contamination risks from micro-organisms.

Where the fabrication contract does not require orbital welds, our clients can also benefit from the flexibility of manual hand welding (TIG) in which we also specialise.

Our skilled polishers will polish the outer and inner diameter of tube and fittings where required to leave a smooth crevice and crack free surface, polished to a measured surface finish specified by you. We are also able to offer an Electropolished finish where required.

SFL's range of machining skills provides us with the ultimate flexibility to produce special machined components for use within our fabrications.

Alongside our specialist fabrications we can also include services such as NDT tested welds, video boroscoping, QA dossiers, weld maps and qualifications, ensuring complete peace of mind at all times.

At SFL we demonstrate daily our commitment and capability to provide a consistently high quality service to our customers which sets us apart, so do not hesitate to call us for all of your fabricating requirements.

We supply products into all sorts of industry sectors and applications, including:

- Chromatography columns
- Reverse Osmosis Systems
- Stem Cell Research
- Neuro Science Research Technologies
- Food Processing Equipment
- Cooking Oil Filtration
- Filtration and Separation Equipment
- Tablet coating and tablet presses
- Powder processing systems
- Pressure fed systems
- Water purification and Water for Injection Systems
- Paint Spraying Units

[Call us now to discuss YOUR requirement on 0121 557 1188](tel:01215571188)

[or click here to send an email](#)

What our customers say...

"As a key supplier of fabricated CIP pipework SFL have proved to be a valuable addition to our supplier base. The quality and reliability is more than capable of meeting our stringent delivery, quality and service level criteria. This service is complimented by an ongoing commitment to the continuous improvement of the customer/ supplier relationship"

"Our pharmaceutical installations are very specialised so our requirements have been varied and numerous. Requests and enquiries have been handled quickly and efficiently by the sales staff and when necessary manufacturing staff have been available to discuss our requirements. It's easy to see why we continue to use SFL and will do so for the foreseeable future."